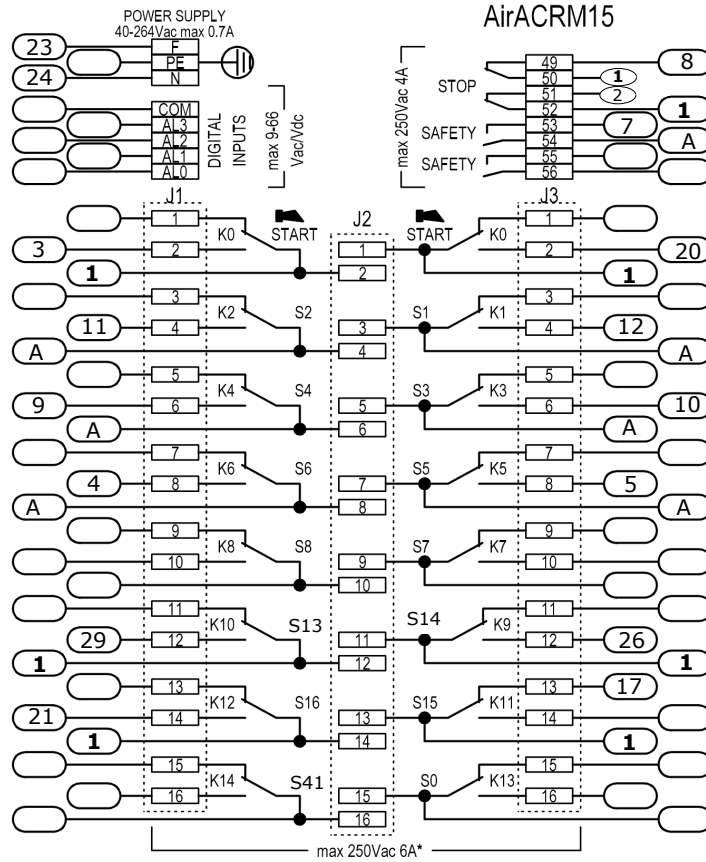
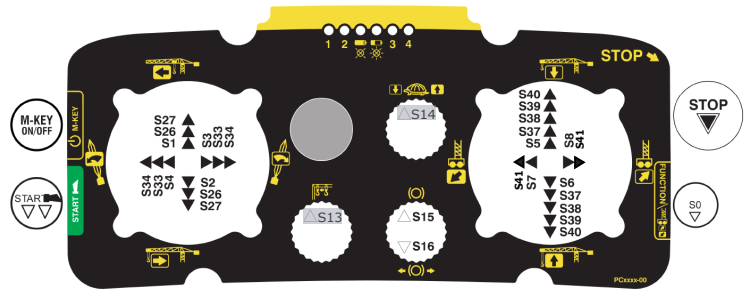
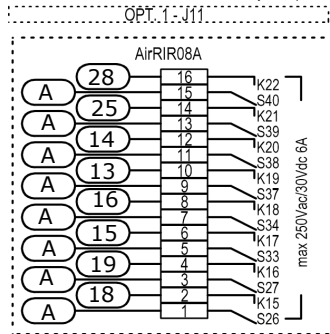


RECEIVER

MODEL: RMC



\* The rated current may be up to 10A only if both terminals are used for each contact



PUENTEAR EN CONECTOR 1-6-22

\* INTERCAMBIAR INTERRUPTOR S14-S13:  
S14: INT. FIJO  
S13: INT. RETURNABLE  
\*\*REQUIERE PROGRAMACIÓN 08.V04

ESQUEMA:

## 500.7.3.5

GRUA: SAEZ  
FECHA: 21/11/2019  
VERSION: 2.0

TIPO DE CLAVIJA: 32 PINES 4 TETONES CON AGARRES  
093 0032 0421

autec  
safety remote control

