

LAH080ET013-000

305119

| Pos. | Artikel | Menge | Bezeichnung | Description | Serie | K |
|------|--------------|-------|---|----------------------|-------|---|
| 100 | 90 00 339 8 | 1 | LASTHAKEN LAH080ET013-100 ⇒ □ 25 | LOAD HOOK | | |
| 211 | 98 45 141 01 | 1 | QUERSTREBE 60X110X150 LAH063ET001-03 | CROSS BRACING | | |
| 214 | 98 45 866 01 | 2 | SCHEIBE 10X65/RD LAH050ET001-038.214 | WASHER | | |
| 215 | 40 65 166 | 4 | SECHSKANTSCHRAUBE ISO 4017 M10X20 | HEX SCREW | | |
| 216 | 42 31 008 01 | 4 | SICHERUNGSBLECH DIN 432 10,5 ST A3C | LOCKING PLATE | | |
| 311 | 99 10 240 01 | 1 | SEILROLLE SER09.35AV55-00 350X9X55 ⇒ □ 163 | ROPE PULLEY | | |
| 312 | 98 45 484 01 | 1 | ACHSE FORM 200 55X100X80 E295 TENQ T | AXLE | | |
| 411 | 98 45 485 01 | 1 | SEITENTEIL LAH063ET001-035.411 | SIDE COMPONENT | | |
| 412 | 98 45 487 01 | 1 | DISTANZROHR LAH063ET001-035.412 23,3 | DISTANCE TUBE | | |
| 413 | 46 00 119 | 1 | SECHSKANTSCHRAUBE ISO 4014 M20x180 | HEX SCREW | | |
| 414 | 41 15 052 01 | 1 | SECHSKANTMUTTER ISO 4032 M20 10 A3C | HEX NUT | | |
| 415 | 42 39 120 01 | 1 | SICHERUNGSSCHEIBE 21/30X2,8 VS ZN5/ | LOCK WASHER | | |
| 416 | 98 43 867 01 | 2 | SCHEIBE LAH080ET011-040.416 6X55/21RD | WASHER | | |
| 417 | 98 45 488 01 | 1 | SEITENTEIL LAH063ET001-035.417 | SIDE COMPONENT | | |
| 421 | 98 45 489 01 | 1 | BOLZEN LAH063ET001-035.421 45X190X155 | PIN | | |
| 422 | 43 31 027 01 | 1 | FEDERSTECKER LN 262 8X150 VERZ | SPRING PLUG | | |
| 431 | 98 45 491 01 | 1 | ABDECKUNG LAH063ET001-035.431 | COVER | | |
| 432 | 46 00 332 | 2 | SECHSKANTSCHRAUBE ISO 4014 M 16X90 | HEX SCREW | | |
| 433 | 42 31 012 01 | 4 | SICHERUNGSBLECH DIN 432 17 ST A3C | LOCKING PLATE | | |
| 434 | 41 15 050 01 | 2 | SECHSKANTMUTTER ISO 4032 M16 10 A3C | HEX NUT | | |
| 511 | 98 45 492 01 | 2 | SEITENBLECH LAH063ET001-035.511 | SIDE PLATE | | |
| 551 | 99 11 318 01 | 1 | HERSTELLERSCHILD SLD04.07WH01 DE 7 | MANUFACTURER'S PLATE | | |
| 552 | 44 49 001 01 | 8 | BLINDNIET TRAPEZKOPF 3,2X6 | BLIND RIVET | | |
| 711 | 98 45 495 01 | 2 | ZUSATZGEWICHT LAH063ET001-035.711 5 | ADDITIONAL WEIGHT | | |

26.5.2015
305119

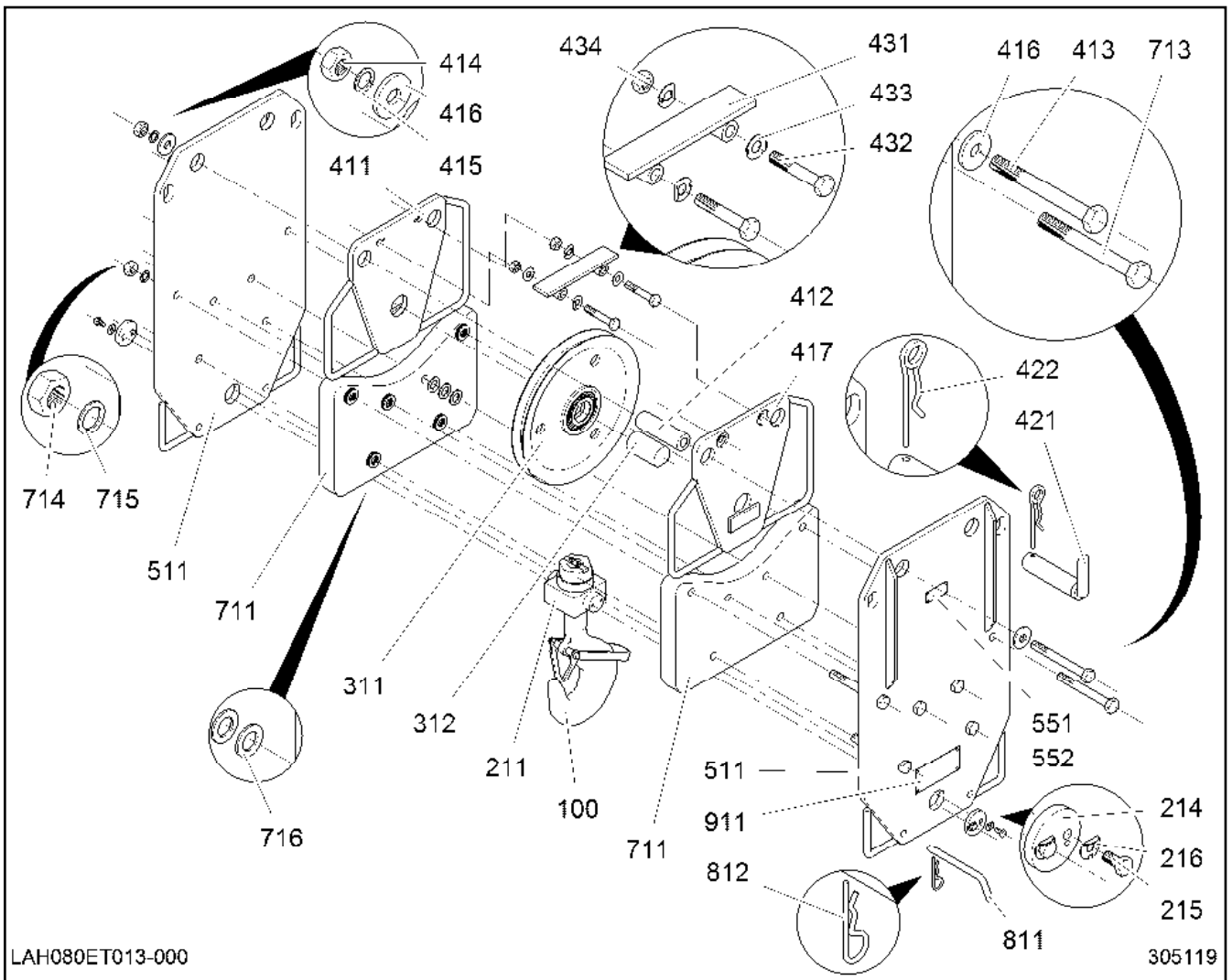
LE21035_150ecb8lit_etl_de

□ 23 (1/2)

LIEBHERR

UNTERFLASCHE
BOTTOM HOOK BLOCK

90 00 337 1



| Pos. | Artikel | Menge | Bezeichnung | Description | Serie | K |
|------|--------------|-------|--------------------------------------|-------------------|-------|---|
| 713 | 40 61 240 01 | 6 | SECHSKANTSCHRAUBE ISO 4014 M20X170 | HEX SCREW | | |
| 714 | 41 15 052 01 | 6 | SECHSKANTMUTTER ISO 4032 M20 10 A3C | HEX NUT | | |
| 715 | 42 39 120 01 | 6 | SICHERUNGSSCHEIBE 21/30X2,8 VS ZN5/ | LOCK WASHER | | |
| 716 | 42 00 023 01 | 18 | SCHEIBE ISO 7089 22 200HV A3C A3C | WASHER | | |
| 800 | 90 03 929 3 | 0 | VERRIEGELUNG LAH080ET013-800 | LOCKING | | |
| 811 | 92 04 324 01 | 1 | BOLZEN V1790-966.132 16X170X155 | PIN | | |
| 812 | 43 31 001 01 | 1 | FEDERSTECKER LN 262 5X85 VERZ | SPRING PLUG | | |
| 911 | 93 93 887 01 | 1 | TRAGLASTSCHILD 70X150 SLD07.15LU01 D | BURDEN LOAD LABEL | | |

26.5.2015
305119

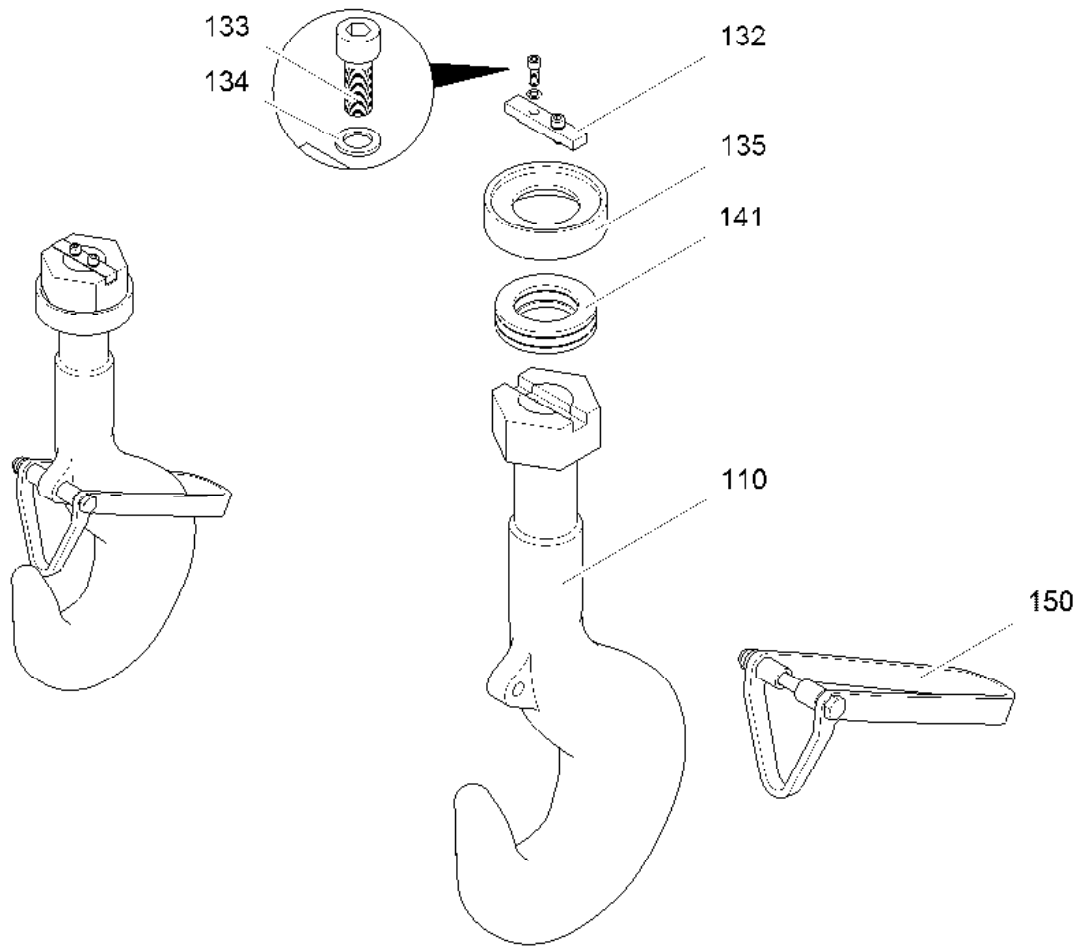
LIEBHERR

LE21035_150ecb8lit_etl_de

UNTERFLASCHE
BOTTOM HOOK BLOCK

□ 24 (2/2)

90 00 337 1



LAH080ET013-100

305120

| Pos. | Artikel | Menge | Bezeichnung | Description | Serie | K |
|------|--------------|-------|--|--------------------------|-------|---|
| 110 | 98 45 171 01 | 1 | LASTHAKEN LAH063EF031-110 | LOAD HOOK | | |
| 132 | 98 45 172 01 | 1 | PASSFEDER LAH063EF031-132 | FITTING KEY | | |
| 133 | 46 00 048 | 2 | ZYLINDERSCHRAUBE ISO 4762 M6X16 8.8 | SOCKET HEAD SCREW | | |
| 134 | 42 39 106 01 | 2 | SICHERUNGSSCHEIBE 6,4/10X1,4 VS ZN5/ | LOCK WASHER | | |
| 135 | 98 41 421 01 | 1 | ABDECKRING 48,9X88,9X24 LAH063EG011- | COVER RING | | |
| 141 | 74 66 064 01 | 1 | AX.ZYL.ROLLENLAGER DIN 722 45X73X20 -8 | CYLINDER ROLLER THRUST B | | |
| 150 | 96 85 897 01 | 1 | SICHERUNGSBUEGEL LAH063EF021-150 | SAFETY STIRRUP | | |
| | | | ⇒ □ 144 | | | |

26.5.2015
305120

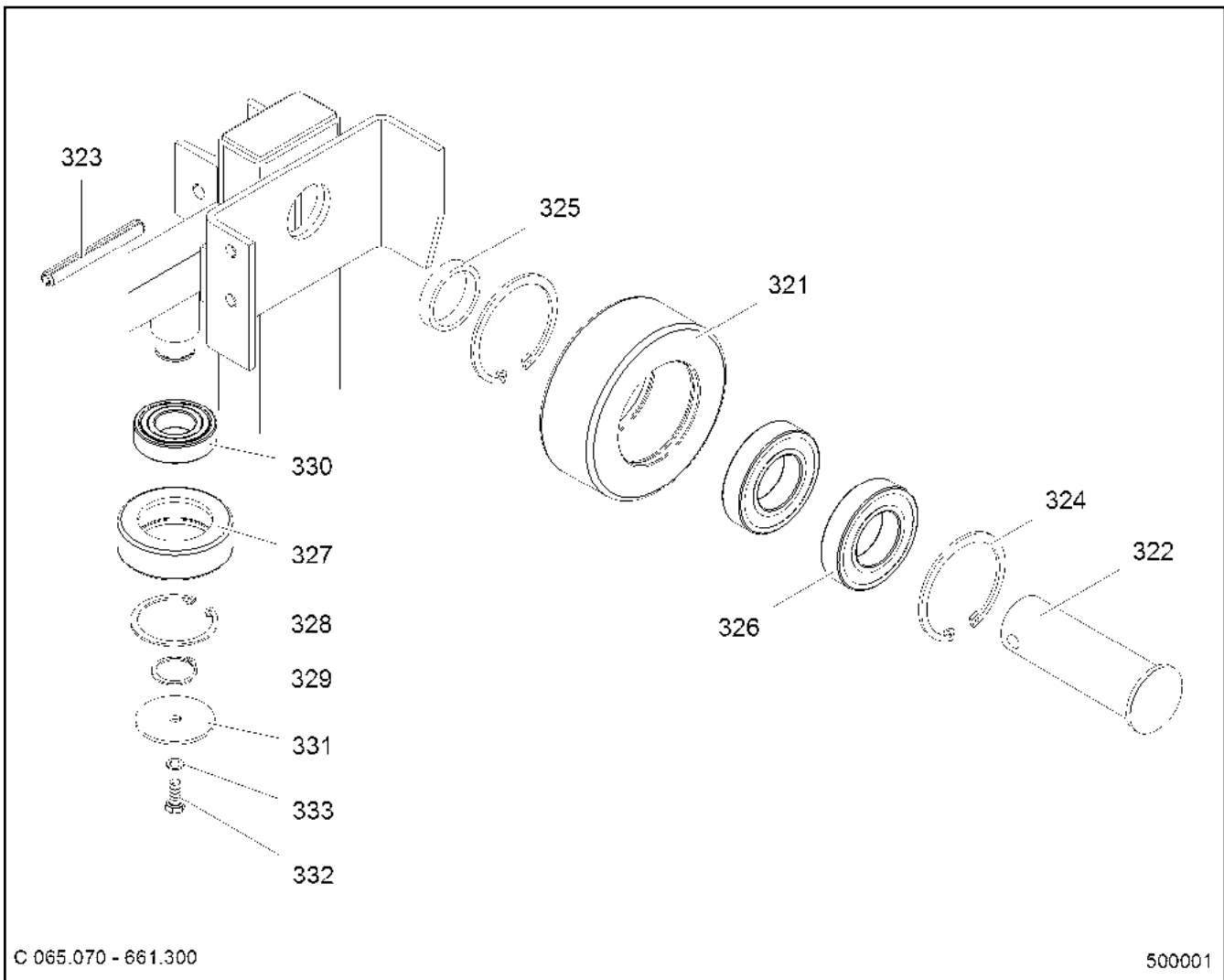
LIEBHERR

LE21035_150ecb8lit_etl_de

LASTHAKEN
LOAD HOOK

□ 25

90 00 339 8



C 065.070 - 661.300

500001

| Pos. | Artikel | Menge | Bezeichnung | Description | Serie | K |
|------|--------------|-------|---|--------------------------|-------|---|
| 321 | 95 71 703 01 | 1 | ROLLE C041.001-661.211 146/84,85X55 PA6 | ROLLER | | |
| 322 | 90 80 030 4 | 1 | ACHSE C065.070-661.322 | AXLE | | |
| 323 | 43 20 161 01 | 1 | SPANNSTIFT ISO 8752 12X100 ST GEOMET | DOWEL PIN | | |
| 324 | 10 17 163 1 | 2 | SICHERUNGSRING DIN 472 85X3 FLZNNC-1 | LOCKING RING | | |
| 325 | 90 80 033 3 | 1 | DISTANZROHR Ø54XØ45X10,5 C065.070-66 | DISTANCE TUBE | | |
| 326 | 74 51 489 01 | 2 | RILLENKUGELLAGER DIN 625 45X85X19 -6 | DEEP GROOVE BALL BEARING | | |
| 327 | 95 71 705 01 | 1 | ROLLE C041.001-661.221 86/56X27 PA6G | ROLLER | | |
| 328 | 10 17 162 5 | 1 | SICHERUNGSRING DIN 472 62X2 FLZNNC-1 | LOCKING RING | | |
| 329 | 10 17 157 7 | 1 | SICHERUNGSRING DIN 471 30X1,5 FLZNNC | LOCKING RING | | |
| 330 | 74 51 486 01 | 1 | RILLENKUGELLAGER DIN 625 30X62X16 -6 | DEEP GROOVE BALL BEARING | | |
| 331 | 93 87 282 01 | 1 | SCHEIBE C040.001-661.225 3X59/9RD | WASHER | | |
| 332 | 49 00 089 | 1 | SECHSKANTSCHRAUBE ISO 4017 M8X20 8. | HEX SCREW | | |
| 333 | 42 39 108 01 | 1 | SICHERUNGSSCHEIBE 8,4/13X1,7 VS 8 ZN5/ | LOCK WASHER | | |

26.5.2015
500001

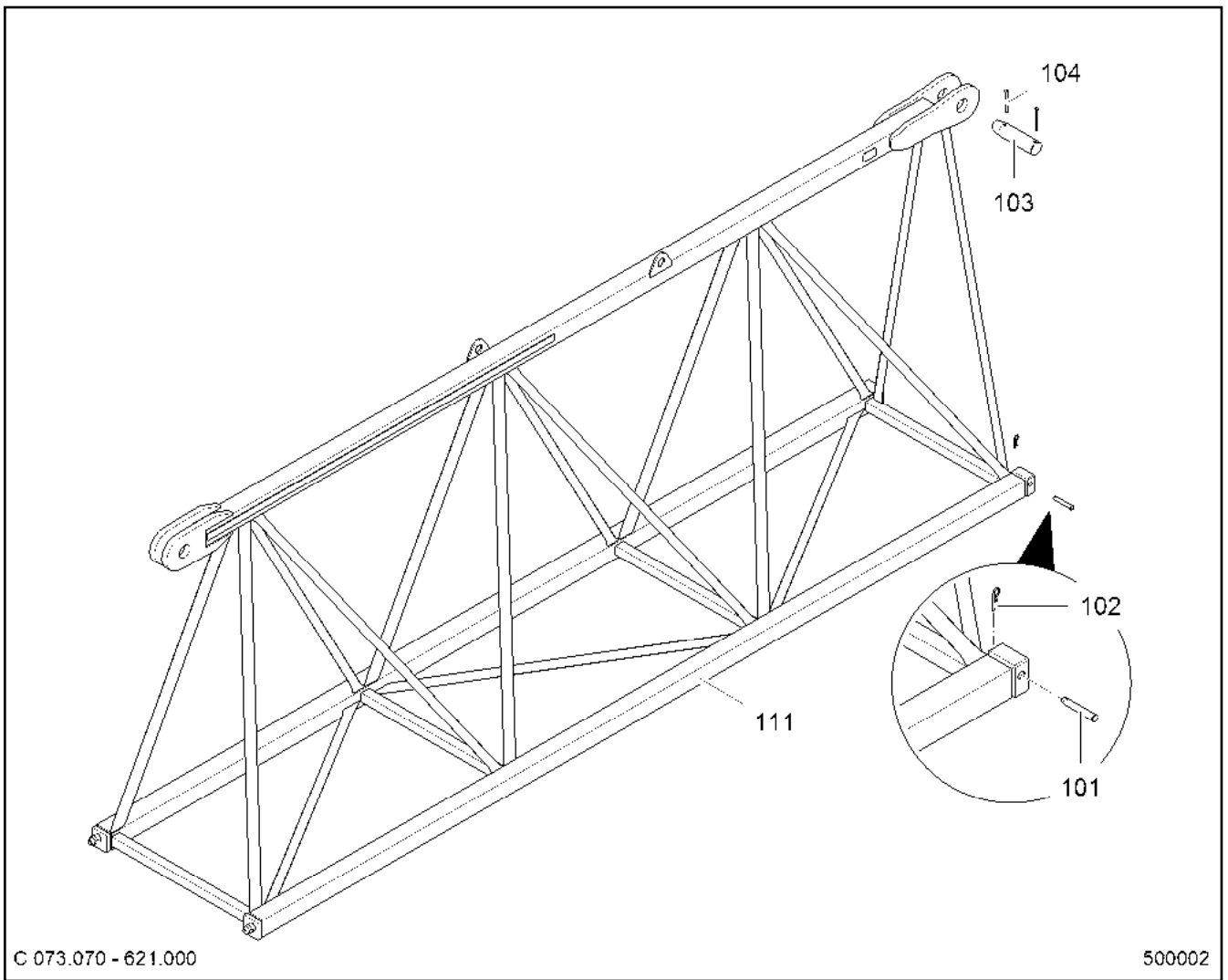
LE21035_150ecb8lit_etl_de

47

LIEBHERR

ROLLE
ROLLER

90 80 031 5



| Pos. | Artikel | Menge | Bezeichnung | Description | Serie | K |
|------|--------------|-------|---------------------------------------|--------------------------|-------|---|
| 101 | 90 10 464 30 | 2 | BOLZEN 20X130X110 C062.070-611.121 | PIN | | |
| 102 | 43 31 008 01 | 2 | FEDERSTECKER LN 262 4X60 VERZ | SPRING PLUG | | |
| 103 | 90 80 318 9 | 1 | BOLZEN LN 17 75X295X215 F200 42CRM04+ | PIN | | |
| 104 | 43 30 106 01 | 2 | SPLINT ISO 1234 10X100 ST A3C A3C | SPLIT PIN | | |
| 111 | 90 80 228 8 | 1 | AUSLEGERZWISCHENSTUECK C073.070-62 | INTERMEDIATE JIB SECTION | | |

26.5.2015
500002

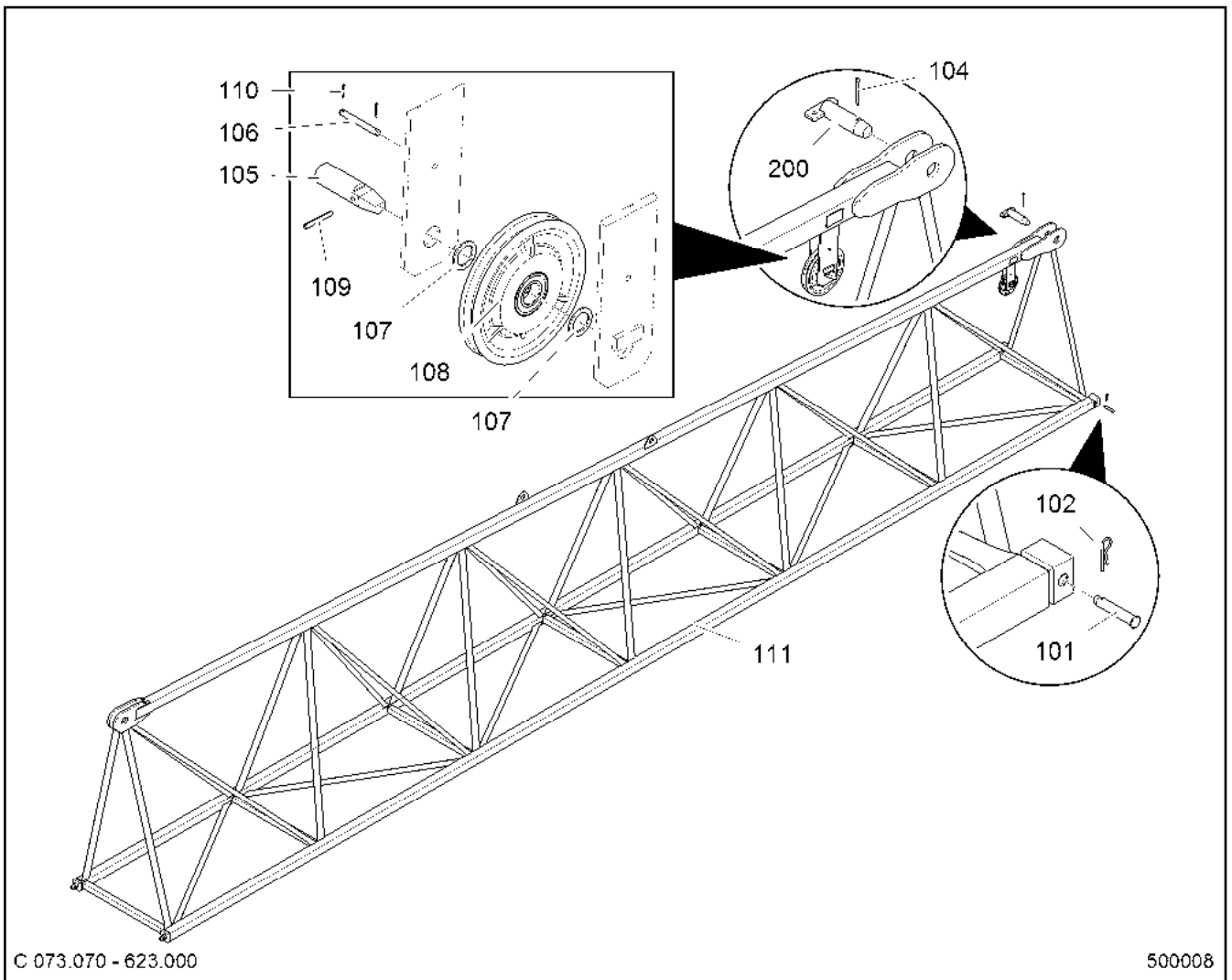
LIEBHERR

LE21035_150ecb8lit_etl_de

AUSLEGERZWISCHENSTUECK
INTERMEDIATE JIB SECTION

56

90 80 228 7



| Pos. | Artikel | Menge | Bezeichnung | Description | Serie | K |
|------|--------------|-------|---|--------------------------|-------|---|
| 101 | 90 80 247 4 | 2 | BOLZEN C073.070-632.101 | PIN | | |
| 102 | 43 31 008 01 | 2 | FEDERSTECKER LN 262 4X60 VERZ | SPRING PLUG | | |
| 104 | 43 30 106 01 | 1 | SPLINT ISO 1234 10X100 ST A3C A3C | SPLIT PIN | | |
| 105 | 90 00 059 30 | 1 | ANSCHLAGBOLZEN NP-152/A 30X110 ZNNI | LIMIT STOP BOLT | | |
| 106 | 97 10 510 01 | 1 | BOLZEN LN 16 F200 8X70X62 S355J2C+C ZN | PIN | | |
| 107 | 10 17 363 2 | 2 | STUETZSCHEIBE DIN 988 30X42X2,5 ST GE | SUPPORTING WASHER | | |
| 108 | 93 88 091 01 | 1 | SEILROLLE SER42.18GW30-00 180X4,5X30 ⇒ □ 141 | ROPE PULLEY | | |
| 109 | 43 20 067 01 | 1 | SPANNSTIFT ISO 8752 6X50 ST GEOMET32 | DOWEL PIN | | |
| 110 | 43 30 019 01 | 2 | SPLINT ISO 1234 2X14 ST A3C A3C | SPLIT PIN | | |
| 111 | 90 80 233 5 | 1 | AUSLEGERZWISCHENSTUECK C073.070-62 | INTERMEDIATE JIB SECTION | | |
| 200 | 90 80 263 0 | 1 | BOLZEN C073.070-623.200 | PIN | | |

26.5.2015
500008

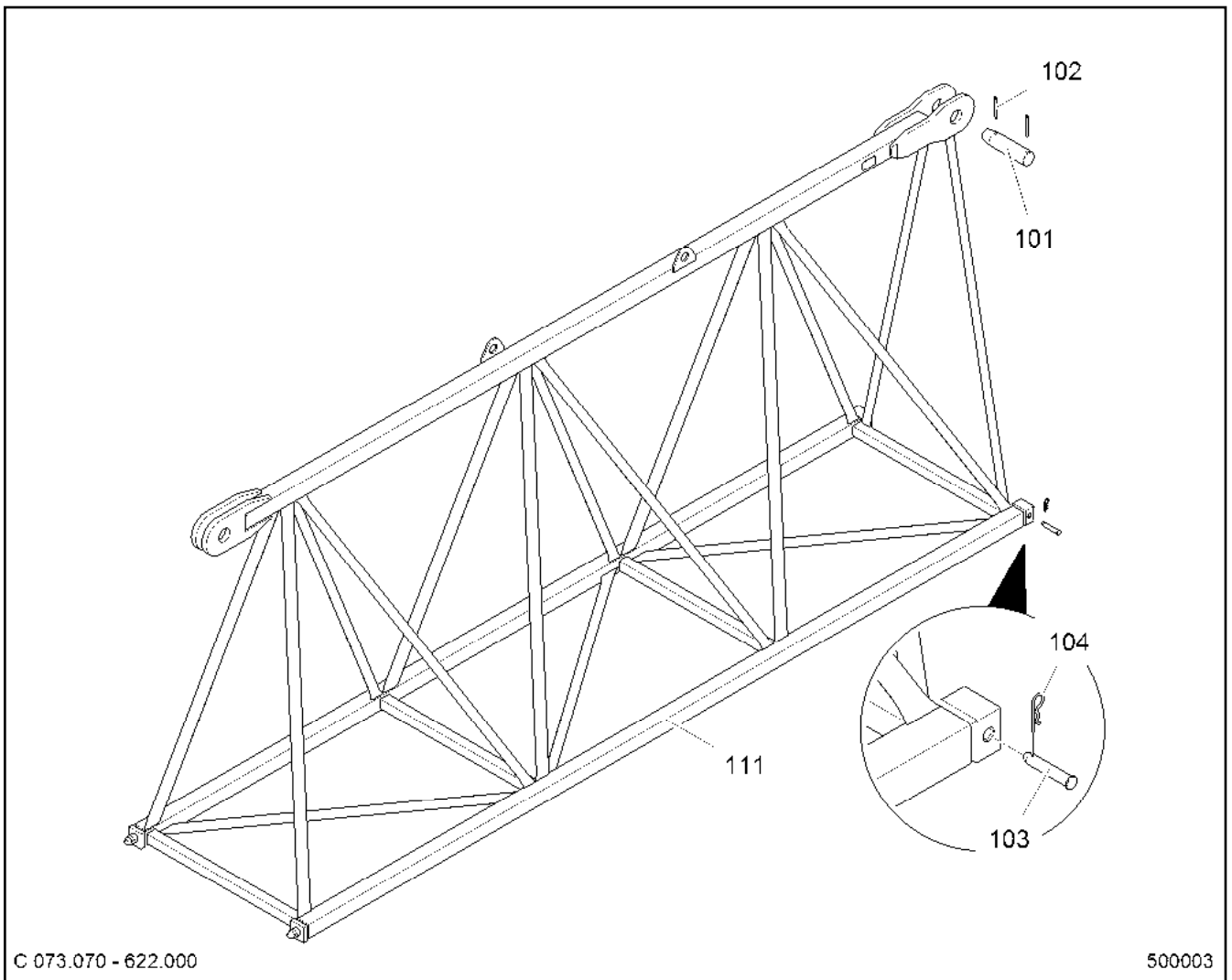
LIEBHERR

LE21035_150ecb8lit_etl_de

AUSLEGERZWISCHENSTUECK
INTERMEDIATE JIB SECTION

□ 57

90 80 233 4



| Pos. | Artikel | Menge | Bezeichnung | Description | Serie | K |
|------|--------------|-------|---------------------------------------|--------------------------|-------|---|
| 101 | 90 80 318 9 | 1 | BOLZEN LN 17 75X295X215 F200 42CRM04+ | PIN | | |
| 102 | 43 30 106 01 | 2 | SPLINT ISO 1234 10X100 ST A3C A3C | SPLIT PIN | | |
| 103 | 90 80 247 4 | 2 | BOLZEN C073.070-632.101 | PIN | | |
| 104 | 43 31 008 01 | 2 | FEDERSTECKER LN 262 4X60 VERZ | SPRING PLUG | | |
| 111 | 90 80 240 2 | 1 | AUSLEGERZWISCHENSTUECK C073.070-62 | INTERMEDIATE JIB SECTION | | |

26.5.2015
500003

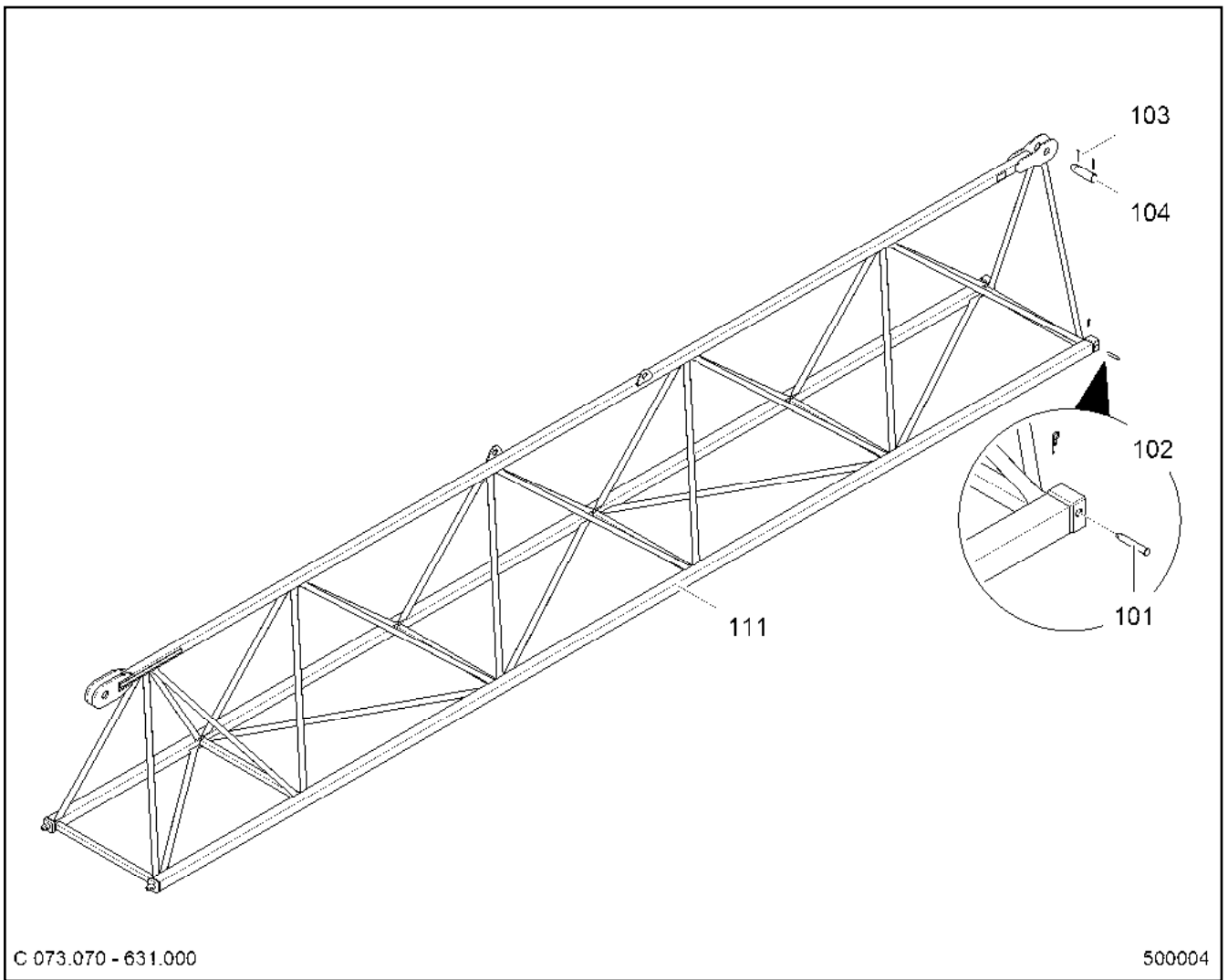
LIEBHERR

LE21035_150ecb8lit_etl_de

AUSLEGERZWISCHENSTUECK
INTERMEDIATE JIB SECTION

58

90 80 240 1



| Pos. | Artikel | Menge | Bezeichnung | Description | Serie | K |
|------|--------------|-------|--------------------------------------|--------------------------|-------|---|
| 101 | 90 80 247 4 | 2 | BOLZEN C073.070-632.101 | PIN | | |
| 102 | 43 31 008 01 | 2 | FEDERSTECKER LN 262 4X60 VERZ | SPRING PLUG | | |
| 103 | 43 30 106 01 | 2 | SPLINT ISO 1234 10X100 ST A3C A3C | SPLIT PIN | | |
| 104 | 90 80 301 0 | 1 | BOLZEN LN 17 65X225X155 F200 S355J2C | PIN | | |
| 111 | 90 80 245 9 | 1 | AUSLEGERZWISCHENSTUECK C073.070-63 | INTERMEDIATE JIB SECTION | | |

26.5.2015
500004

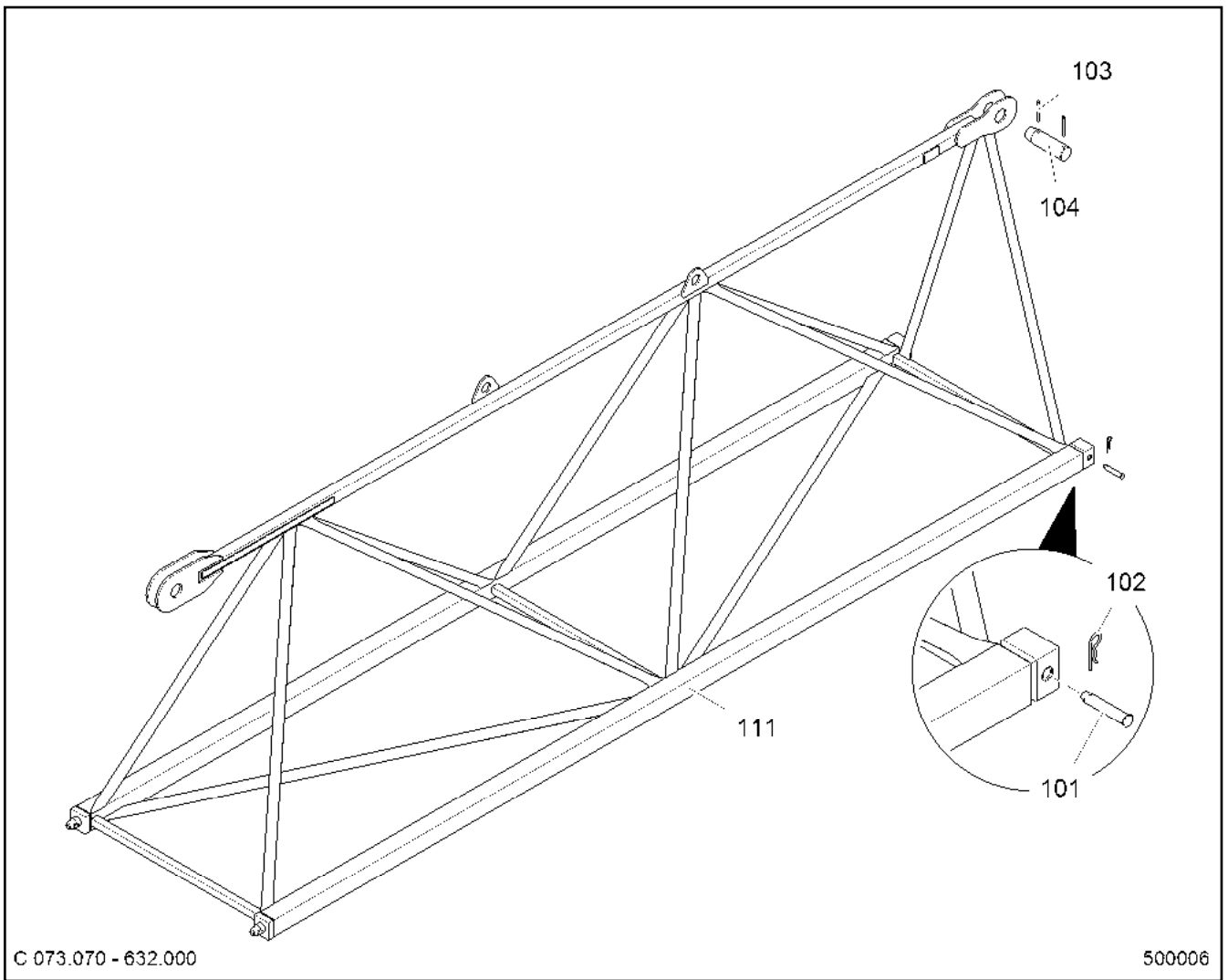
LIEBHERR

LE21035_150ecb8lit_etl_de

AUSLEGERZWISCHENSTUECK
INTERMEDIATE JIB SECTION

59

90 80 243 4



| Pos. | Artikel | Menge | Bezeichnung | Description | Serie | K |
|------|--------------|-------|--------------------------------------|--------------------------|-------|---|
| 101 | 90 80 247 4 | 2 | BOLZEN C073.070-632.101 | PIN | | |
| 102 | 43 31 008 01 | 2 | FEDERSTECKER LN 262 4X60 VERZ | SPRING PLUG | | |
| 103 | 43 30 106 01 | 2 | SPLINT ISO 1234 10X100 ST A3C A3C | SPLIT PIN | | |
| 104 | 90 80 301 0 | 1 | BOLZEN LN 17 65X225X155 F200 S355J2C | PIN | | |
| 111 | 90 80 257 2 | 1 | AUSLEGERZWISCHENSTUECK C073.070-63 | INTERMEDIATE JIB SECTION | | |

26.5.2015
500006

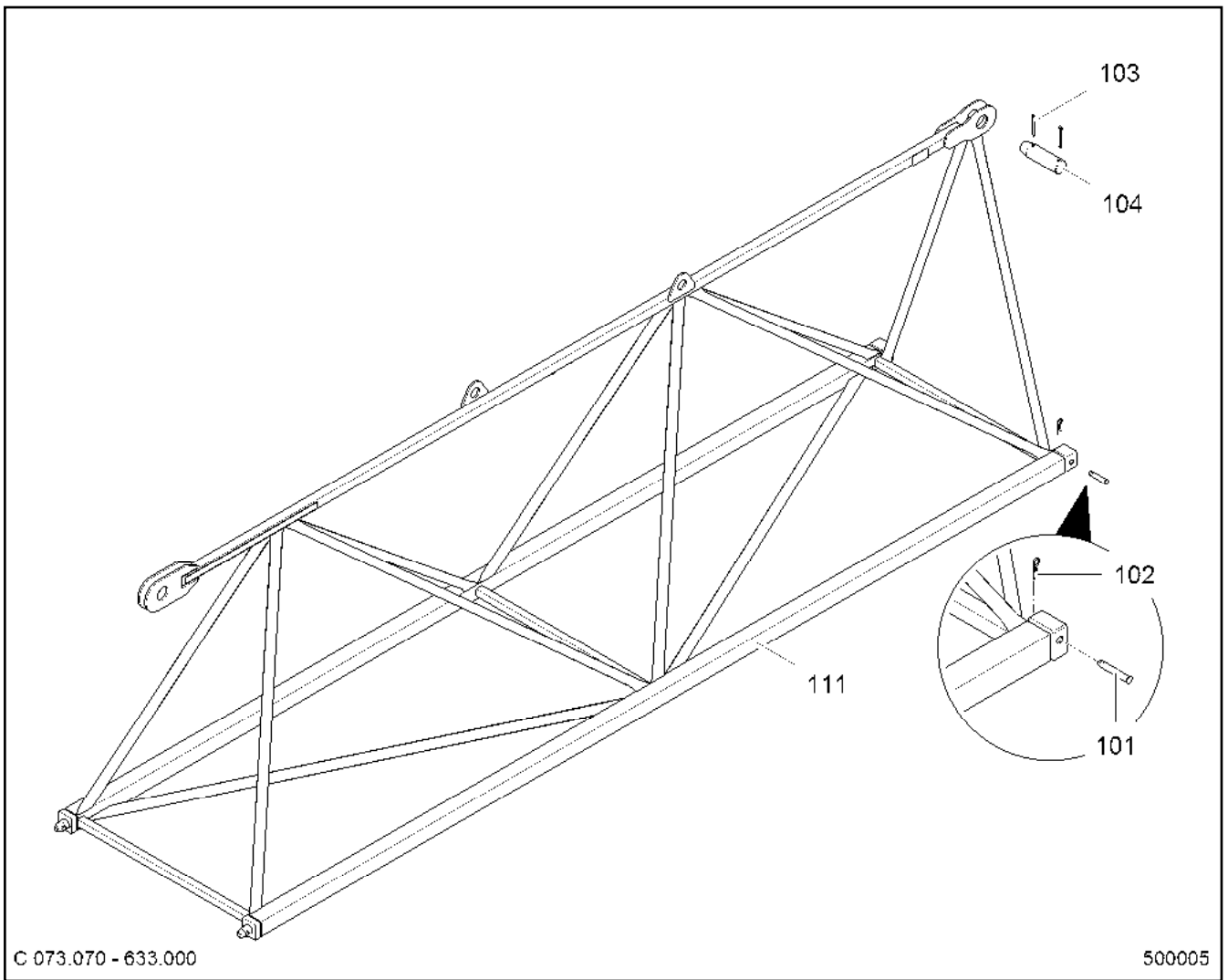
LIEBHERR

LE21035_150ecb8lit_etl_de

AUSLEGERZWISCHENSTUECK
INTERMEDIATE JIB SECTION

60

90 80 257 1



| Pos. | Artikel | Menge | Bezeichnung | Description | Serie | K |
|------|--------------|-------|--------------------------------------|--------------------------|-------|---|
| 101 | 90 80 268 1 | 2 | BOLZEN C073.070-634.101 | PIN | | |
| 102 | 43 31 008 01 | 2 | FEDERSTECKER LN 262 4X60 VERZ | SPRING PLUG | | |
| 103 | 43 30 106 01 | 2 | SPLINT ISO 1234 10X100 ST A3C A3C | SPLIT PIN | | |
| 104 | 90 80 301 0 | 1 | BOLZEN LN 17 65X225X155 F200 S355J2C | PIN | | |
| 111 | 90 80 262 2 | 1 | AUSLEGERZWISCHENSTUECK C073.070-63 | INTERMEDIATE JIB SECTION | | |

26.5.2015
500005

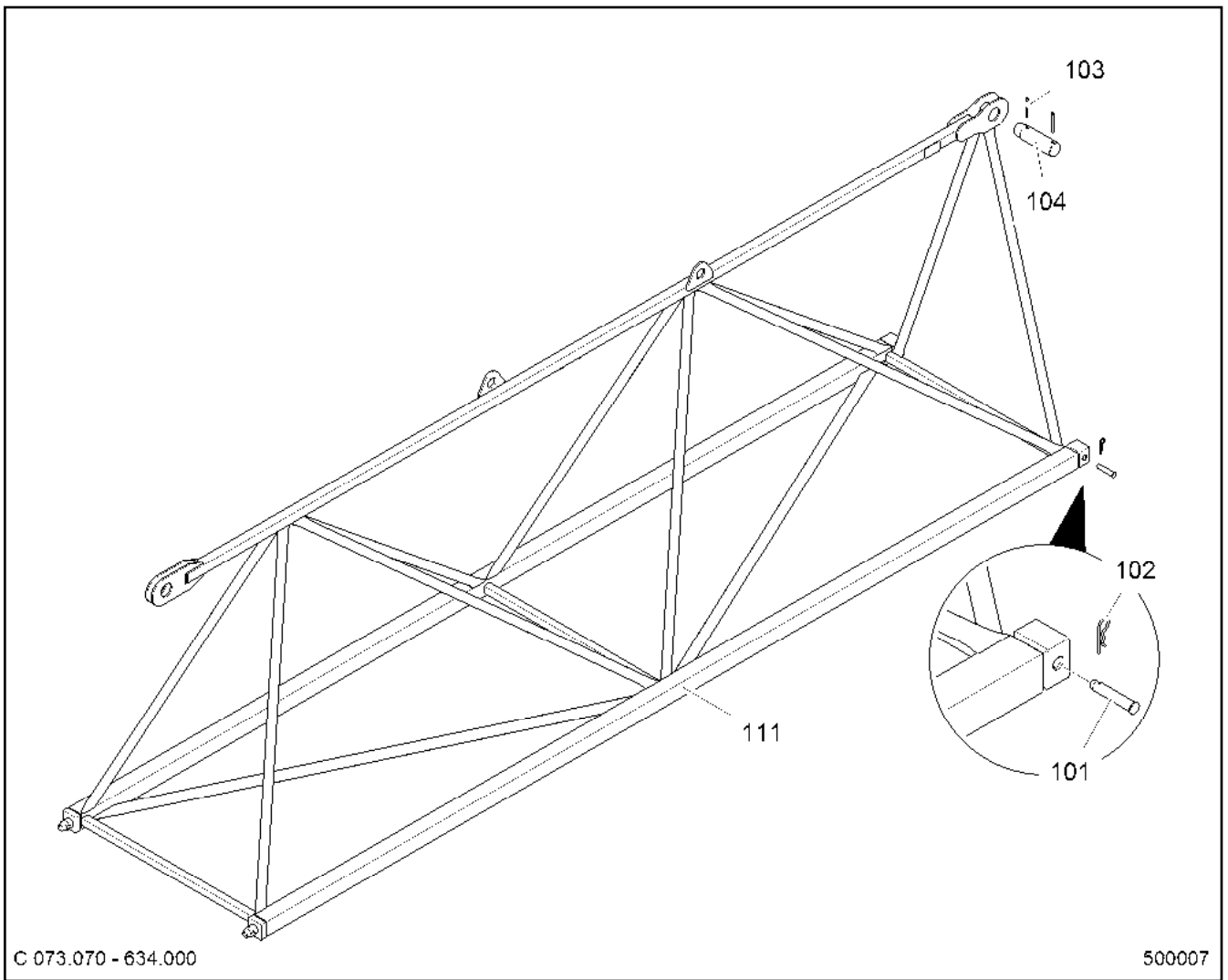
LIEBHERR

LE21035_150ecb8lit_etl_de

AUSLEGERZWISCHENSTUECK
INTERMEDIATE JIB SECTION

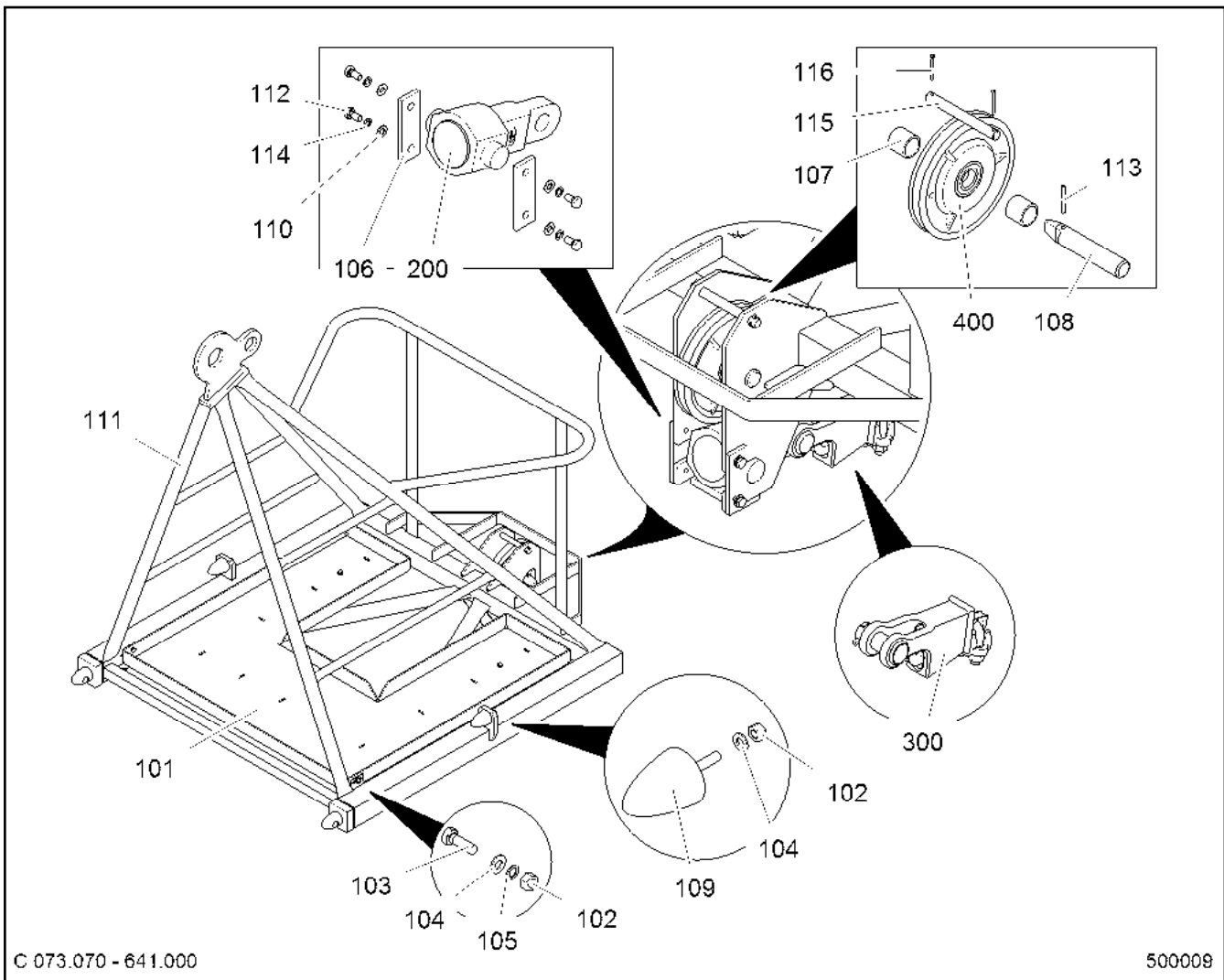
61

90 80 262 1



| Pos. | Artikel | Menge | Bezeichnung | Description | Serie | K |
|------|--------------|-------|--------------------------------------|--------------------------|-------|---|
| 101 | 90 80 268 1 | 2 | BOLZEN C073.070-634.101 | PIN | | |
| 102 | 43 31 008 01 | 2 | FEDERSTECKER LN 262 4X60 VERZ | SPRING PLUG | | |
| 103 | 43 30 106 01 | 2 | SPLINT ISO 1234 10X100 ST A3C A3C | SPLIT PIN | | |
| 104 | 90 80 301 0 | 1 | BOLZEN LN 17 65X225X155 F200 S355J2C | PIN | | |
| 111 | 90 80 268 0 | 1 | AUSLEGERZWISCHENSTUECK C073.070-63 | INTERMEDIATE JIB SECTION | | |

| | | |
|---------------------|--|--|
| 26.5.2015 500007 | LE21035_150ecb8lit_etl_de LIEBHERR AUSLEGERZWISCHENSTUECK INTERMEDIATE JIB SECTION | <input type="checkbox"/> 62 90 80 267 9 |
|---------------------|--|--|



C 073.070 - 641.000

500009

| Pos. | Artikel | Menge | Bezeichnung | Description | Serie | K |
|------|--------------|-------|---|-------------------|-------|---|
| 101 | 90 80 272 3 | 1 | PLATTFORM 5X1084X1087 C073.070-641.10 | PLATFORM | | |
| 102 | 41 15 046 01 | 6 | SECHSKANTMUTTER ISO 4032 M8 10 A2C | HEX NUT | | |
| 103 | 40 66 042 | 4 | SECHSKANTSCHRAUBE ISO 4017 M8X25 1 | HEX SCREW | | |
| 104 | 42 00 012 01 | 10 | SCHEIBE ISO 7089 8 200HV A3C A3C | WASHER | | |
| 105 | 42 39 108 01 | 4 | SICHERUNGSSCHEIBE 8,4/13X1,7 VS 8 ZN5/ | LOCK WASHER | | |
| 106 | 99 70 403 01 | 2 | ACHSHALTER LN 4/3 8X40X120 A S235JR+ | AXLE HOLDER | | |
| 107 | 90 11 281 30 | 2 | DISTANZROHR C063.071-641.113 | DISTANCE TUBE | | |
| 108 | 90 11 307 30 | 1 | ANSCHLAGBOLZEN NP-152/A 30X70 ZNNI | LIMIT STOP BOLT | | |
| 109 | 72 66 162 01 | 2 | ANSCHLAGPUFFER DIN 95364 d=50X67-M8 | LIMIT STOP BUFFER | | |
| 110 | 42 00 013 01 | 4 | SCHEIBE ISO 7089 10 200HV A3C A3C | WASHER | | |
| 111 | 90 80 271 6 | 1 | AUSLEGERKOPFSTUECK C073.070-641.111 | JIB HEAD SECTION | | |
| 112 | 40 65 166 | 4 | SECHSKANTSCHRAUBE ISO 4017 M10X20 | HEX SCREW | | |
| 113 | 43 20 067 01 | 1 | SPANNSTIFT ISO 8752 6X50 ST GEOMET32 | DOWEL PIN | | |
| 114 | 42 39 110 01 | 4 | SICHERUNGSSCHEIBE VS 10 ZN5/CN/T2 V | LOCK WASHER | | |
| 115 | 97 22 503 01 | 1 | BOLZEN LN 16 F200 16X150X135 S355J2C+ | PIN | | |
| 116 | 43 30 052 01 | 2 | SPLINT ISO 1234 4X32 ST A3C A3C | SPLIT PIN | | |
| 200 | 90 07 479 30 | 1 | DRALLFAENGER DRF030.130-000 | TWIST COMPENSATOR | | |
| | | | ⇒  32 | | | |
| 300 | 10 17 969 0 | 1 | KEILENDKLEMME 14-16mm/5/8Z | WEDGE SOCKET | | |
| 400 | 93 88 091 01 | 1 | SEILROLLE SER42.18GW30-00 180X4,5X30 | ROPE PULLEY | | |
| | | | ⇒  141 | | | |

26.5.2015
500009

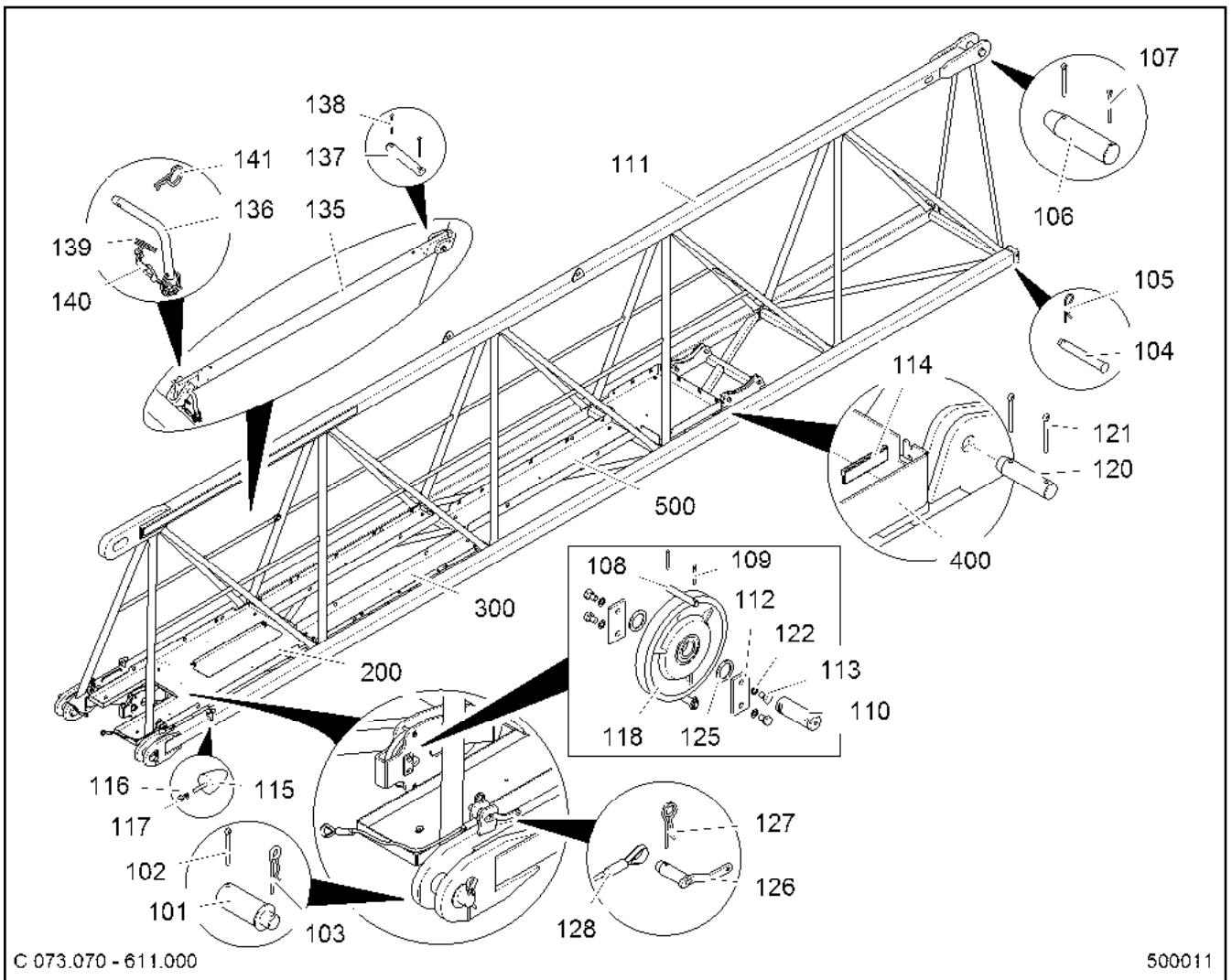
LIEBHERR

LE21035_150ecb8lit_etl_de

AUSLEGERKOPFSTUECK
JIB HEAD SECTION

 63

90 80 271 5



| Pos. | Artikel | Menge | Bezeichnung | Description | Serie | K |
|------|--------------|-------|---|----------------------|-------|---|
| 101 | 90 11 839 30 | 2 | BOLZEN 80X226X178 C065.070-611.101 | PIN | | |
| 102 | 43 30 110 01 | 2 | SPLINT ISO 1234 13X112 ST A3C A3C | SPLIT PIN | | |
| 103 | 43 31 027 01 | 2 | FEDERSTECKER LN 262 8X150 VERZ | SPRING PLUG | | |
| 104 | 90 11 733 30 | 2 | BOLZEN 20X150X130 C065.070-611.121 | PIN | | |
| 105 | 43 31 008 01 | 2 | FEDERSTECKER LN 262 4X60 VERZ | SPRING PLUG | | |
| 106 | 90 80 318 9 | 1 | BOLZEN LN 17 75X295X215 F200 42CRM04+ | PIN | | |
| 107 | 43 30 106 01 | 2 | SPLINT ISO 1234 10X100 ST A3C A3C | SPLIT PIN | | |
| 108 | 97 22 215 01 | 2 | BOLZEN LN 16 F200 12X80X70 S355J2C+C | PIN | | |
| 109 | 43 30 052 01 | 4 | SPLINT ISO 1234 4X32 ST A3C A3C | SPLIT PIN | | |
| 110 | 99 93 047 01 | 1 | ACHSE LN 46-3 30X90X60 F200 S355J2G3-3. | AXLE | | |
| 111 | 90 80 276 2 | 1 | AUSLEGERANLENKSTUECK C073.070-611. | JIB PIVOTING SECTION | | |
| 112 | 99 70 402 01 | 2 | ACHSHALTER LN 4/2 6X40X80 A S235JR+AR | AXLE HOLDER | | |
| 113 | 49 00 090 | 4 | SECHSKANTSCHRAUBE ISO 4017 M10X16 | HEX SCREW | | |
| 114 | 22 60 178 02 | 2m | KANTENSCHUTZPROFIL 0 6-8/15X13 SCHW | SECTION | | |
| 115 | 72 66 162 01 | 2 | ANSCHLAGPUFFER DIN 95364 d=50X67-M8 | LIMIT STOP BUFFER | | |
| 116 | 42 00 012 01 | 2 | SCHEIBE ISO 7089 8 200HV A3C A3C | WASHER | | |
| 117 | 41 15 046 01 | 2 | SECHSKANTMUTTER ISO 4032 M8 10 A2C | HEX NUT | | |
| 118 | 93 88 091 01 | 1 | SEILROLLE SER42.18GW30-00 180X4,5X30 ⇒ □ 141 | ROPE PULLEY | | |
| 120 | 99 75 250 01 | 4 | BOLZEN LN 17 F200 30X120X85 S355J2C+C | PIN | | |
| 121 | 43 30 088 01 | 8 | SPLINT ISO 1234 8X50 ST A3C A3C | SPLIT PIN | | |
| 122 | 42 39 110 01 | 4 | SICHERUNGSSCHEIBE VS 10 ZN5/CN/T2 V | LOCK WASHER | | |
| 125 | 10 17 363 2 | 2 | STUETZSCHEIBE DIN 988 30X42X2,5 ST GE | SUPPORTING WASHER | | |
| 126 | 95 71 573 01 | 2 | BOLZEN 30X90X65 C041.001-541.132 | PIN | | |
| 127 | 43 31 006 01 | 2 | FEDERSTECKER LN 262 6,3X97 A3C | SPRING PLUG | | |
| 128 | 77 55 795 01 | 2 | MONTAGESEIL 86kN 10mmX0,75m sZ VERZ | MOUNTING ROPE | | |

26.5.2015
500011

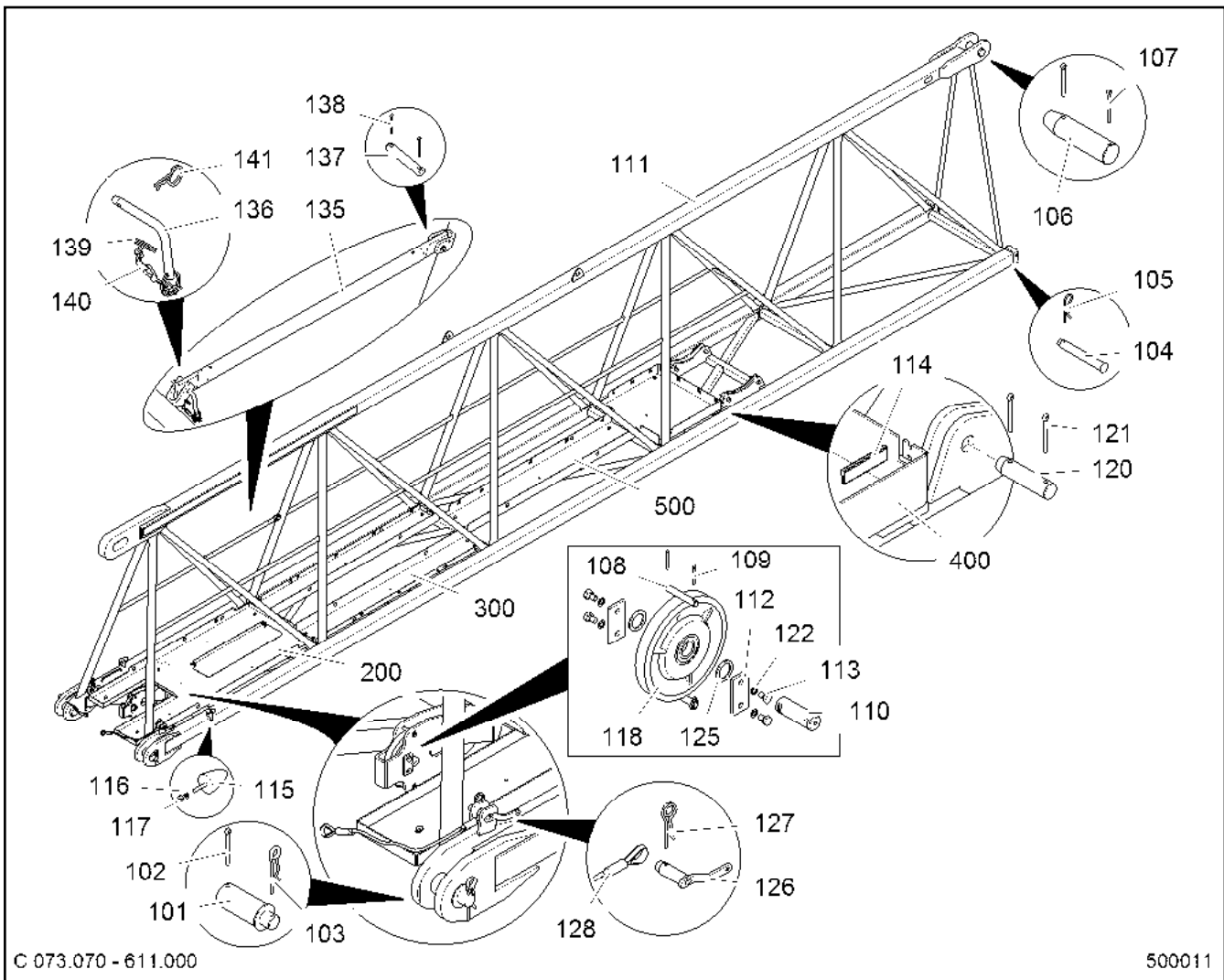
LE21035_150ecb8lit_etl_de

□ 64 (1/2)

LIEBHERR

AUSLEGERANLENKSTUECK
JIB PIVOTING SECTION

90 80 276 1



C 073.070 - 611.000

500011

| Pos. | Artikel | Menge | Bezeichnung | Description | Serie | K |
|------|--------------|--------|--------------------------------------|--------------------|-------|---|
| 135 | 90 80 394 0 | 1 | HANDLAUF C073.070-611.135 | HANDRAIL | | |
| 136 | 90 80 394 1 | 1 | BOLZEN C073.070-611.136 | PIN | | |
| 137 | 97 22 148 01 | 1 | BOLZEN LN 16 F200 10X55X45 S355J2C+C | PIN | | |
| 138 | 43 30 034 01 | 2 | SPLINT ISO 1234 3,2X20 ST A3C | SPLIT PIN | | |
| 139 | 77 90 007 01 | 2 | SCHLUESSELRING 26X30,5X2,0 | KEY RING | | |
| 140 | 74 00 020 01 | 0.175m | KNOTENKETTE DIN 5686 2,5X35 | KNOTTED-LINK CHAIN | | |
| 141 | 43 31 017 01 | 1 | FEDERSTECKER LN 262 2,5X42 VERZ | SPRING PLUG | | |
| 200 | 90 80 285 6 | 1 | PLATTFORM C073.070-611.200 ⇒ □ 70 | PLATFORM | | |
| 300 | 90 80 282 4 | 2 | STEG C073.070-611.300 ⇒ □ 66 | WEB | | |
| 400 | 90 80 282 6 | 1 | PLATTFORM C073.070-611.400 ⇒ □ 67 | PLATFORM | | |
| 500 | 90 80 317 1 | 1 | STEG C073.070-611.500 ⇒ □ 97 | WEB | | |

26.5.2015
500011

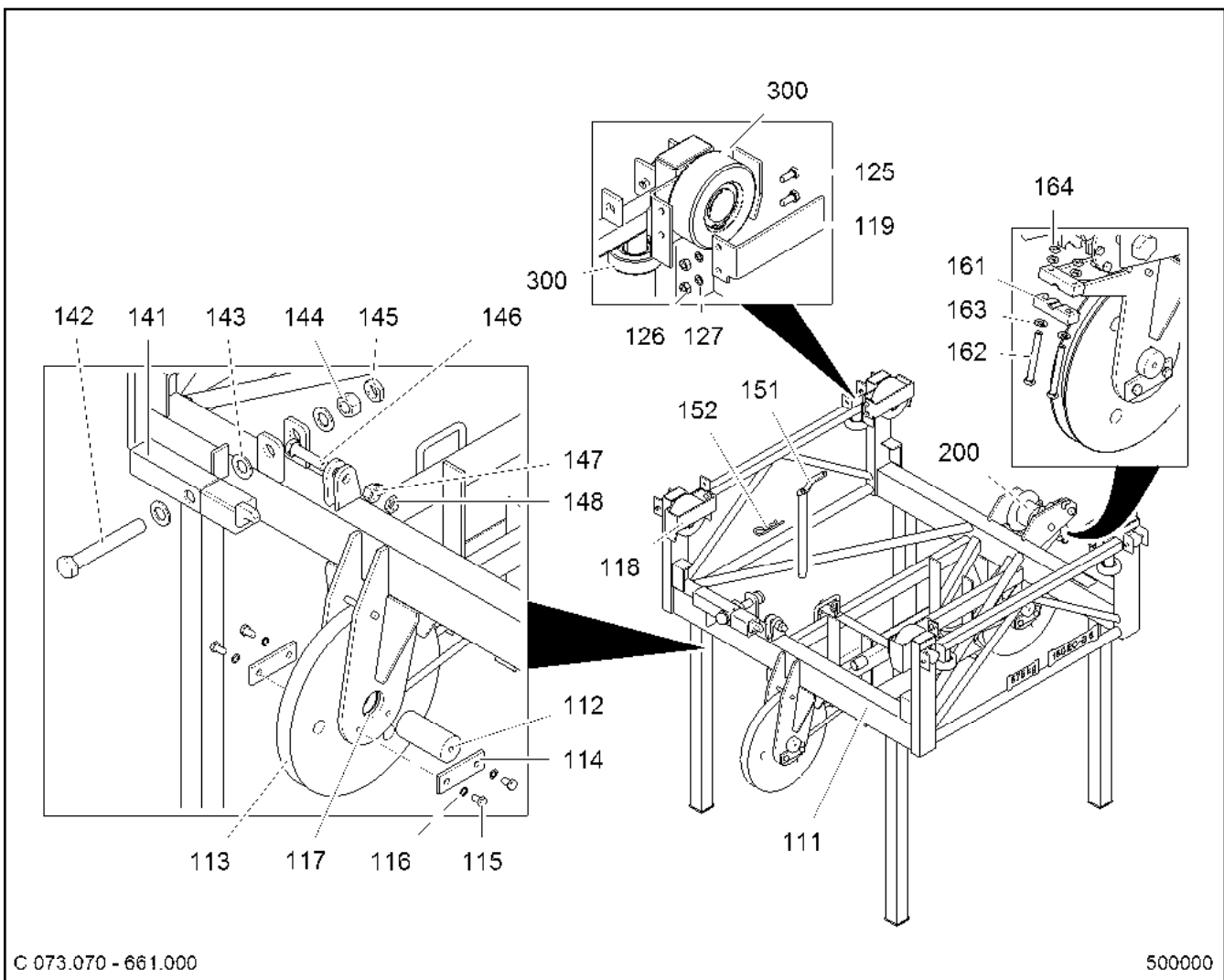
LIEBHERR

LE21035_150ecb8lit_etl_de

AUSLEGERANLENKSTUECK
JIB PIVOTING SECTION

□ 65 (2/2)

90 80 276 1

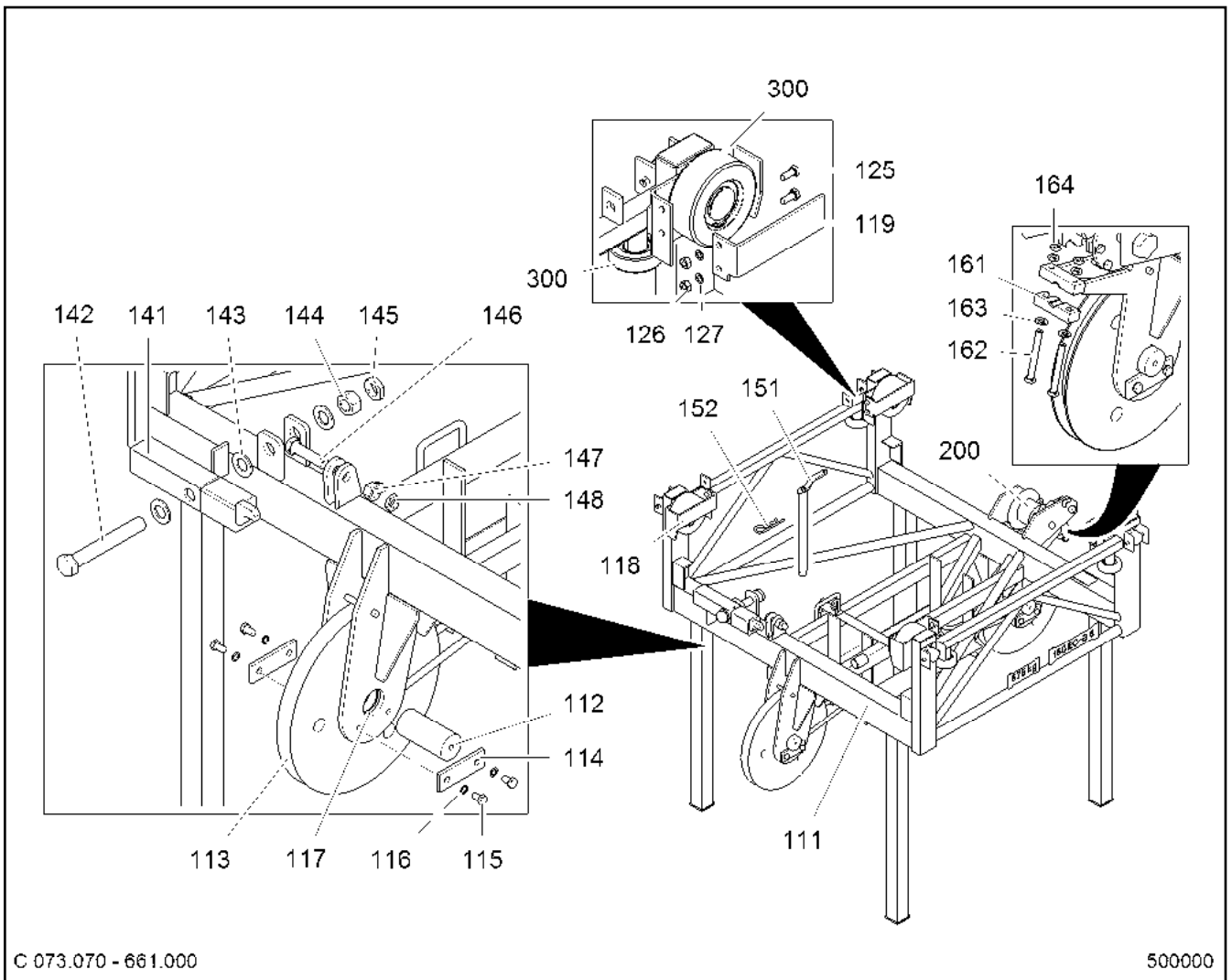


C 073.070 - 661.000

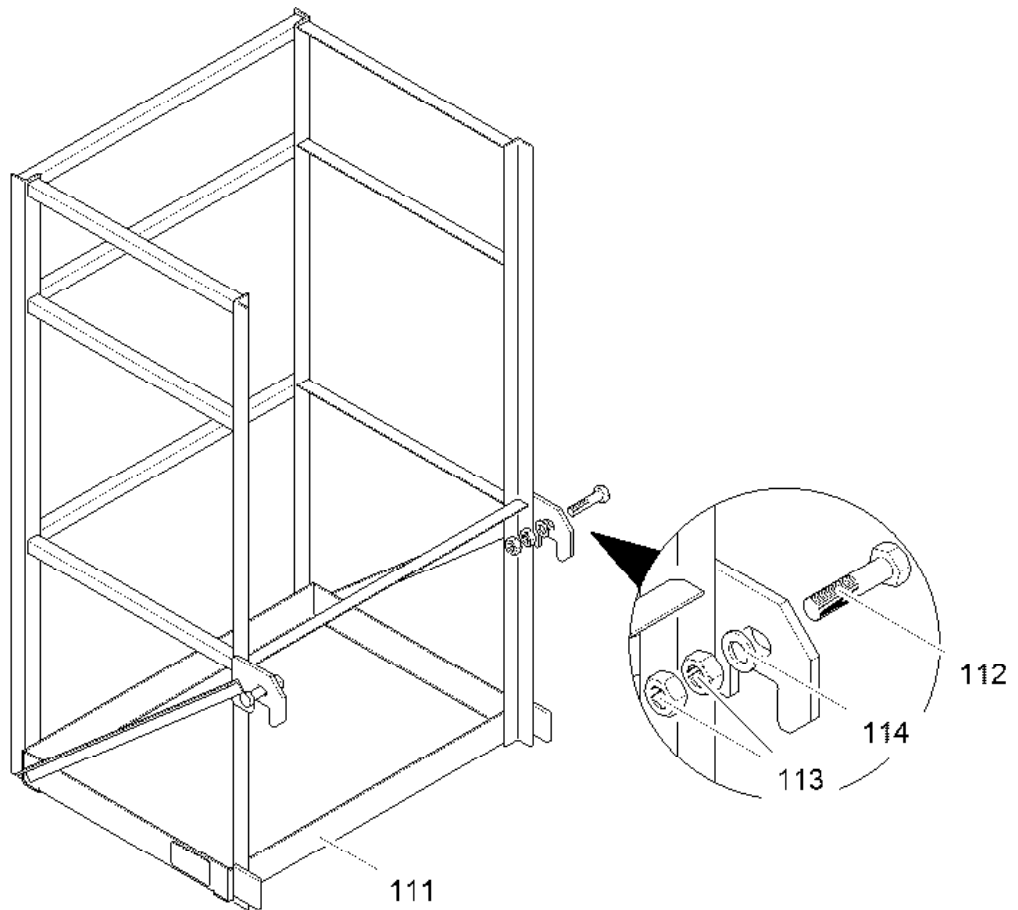
500000

| Pos. | Artikel | Menge | Bezeichnung | Description | Serie | K |
|------|--------------|-------|--|---------------|-------|---|
| 111 | 90 80 284 3 | 1 | LAUFKATZE C073.070-661.111 | TROLLEY | | |
| 112 | 93 26 734 01 | 2 | ACHSE LN 46-3 55X120X82 F200 S355J2G3- | AXLE | | |
| 113 | 97 02 890 01 | 2 | SEILROLLE SER09.35EV55-00 | ROPE PULLEY | | |
| | | | ⇒ □ 153 | | | |
| 114 | 99 70 403 01 | 4 | ACHSHALTER LN 4/3 8X40X120 A S235JR+ | AXLE HOLDER | | |
| 115 | 49 00 120 | 8 | SECHSKANTSCHRAUBE ISO 4017 M12X20 | HEX SCREW | | |
| 116 | 42 39 112 01 | 8 | SICHERUNGSSCHEIBE 13/18X2,1 VS ZN5/ | LOCK WASHER | | |
| 117 | 90 07 448 30 | 4 | DISTANZROHR C157.070-541.614 55,3 | DISTANCE TUBE | | |
| 118 | 90 80 031 0 | 2 | SCHUTZ 6X75X241 C065.070-661.118 | PROTECTION | | |
| 119 | 90 80 031 3 | 2 | SCHUTZ 6X75X241 C065.070-661.119 | PROTECTION | | |
| 125 | 40 65 164 | 8 | SECHSKANTSCHRAUBE ISO 4017 M10X25 | HEX SCREW | | |
| 126 | 41 15 047 01 | 8 | SECHSKANTMUTTER ISO 4032 M10 10 A3C | HEX NUT | | |
| 127 | 42 39 110 01 | 8 | SICHERUNGSSCHEIBE VS 10 ZN5/CN/T2 V | LOCK WASHER | | |
| 141 | 90 80 301 7 | 1 | HEBEL C073.070-661.141 | LEVER | | |
| 142 | 40 62 112 01 | 1 | SECHSKANTSCHRAUBE ISO 4014 M27X190 | HEX SCREW | | |
| 143 | 42 00 026 01 | 3 | SCHEIBE ISO 7089 27 200HV A3C A3C | WASHER | | |
| 144 | 41 15 056 01 | 1 | SECHSKANTMUTTER ISO 4032 M27 10 A3C | HEX NUT | | |
| 145 | 41 17 014 01 | 1 | SECHSKANTMUTTER DIN 936 M27 17H A3C | HEX NUT | | |
| 146 | 40 62 058 01 | 1 | SECHSKANTSCHRAUBE ISO 4014 M20X80 | HEX SCREW | | |
| 147 | 41 15 052 01 | 1 | SECHSKANTMUTTER ISO 4032 M20 10 A3C | HEX NUT | | |
| 148 | 41 17 008 01 | 1 | SECHSKANTMUTTER DIN 936 M20 6 A3C V | HEX NUT | | |
| 151 | 95 71 698 01 | 1 | GRIFFBOLZEN 30X370X80 C041.001-661.13 | GRIP BOLT | | |
| 152 | 43 31 013 01 | 1 | FEDERSTECKER LN 262 7X105 VERZ | SPRING PLUG | | |
| 161 | 90 07 546 30 | 1 | SPANNBACKE 20X30X92 C157.070-661.161 | CLAMPING JAW | | |
| 162 | 40 65 143 01 | 2 | SECHSKANTSCHRAUBE ISO 4017 M12X100 | HEX SCREW | | |
| 163 | 42 00 016 01 | 2 | SCHEIBE ISO 7089 12 200HV A3C A3C | WASHER | | |

| | | |
|---------------------|---------------------------|-------------|
| 26.5.2015 500000 | LE21035_150ecb8lit_etl_de | □ 68 (1/2) |
| LIEBHERR | LAUFKATZE TROLLEY | 90 80 284 2 |



| Pos. | Artikel | Menge | Bezeichnung | Description | Serie | K |
|------|--------------|-------|--|------------------|-------|---|
| 164 | 41 17 004 01 | 4 | SECHSKANTMUTTER DIN 936 M 12 6 A3C V | HEX NUT | | |
| 200 | 95 71 756 01 | 1 | SPANNVORRICHTUNG C041.001-661.500 ⇒ □ 143 | FASTENING DEVICE | | |
| 300 | 90 80 031 5 | 4 | ROLLE C065.070-661.300 ⇒ □ 47 | ROLLER | | |



C155.001-671.100 (0.0)

309557

| Pos. | Artikel | Menge | Bezeichnung | Description | Serie | K |
|------|--------------|-------|-------------------------------------|---------------|-------|---|
| 111 | 93 97 339 01 | 1 | FAHRKORB C155.001-671.111 | ELEVATOR CAGE | | |
| 112 | 40 62 042 01 | 2 | SECHSKANTSCHRAUBE ISO 4014 M16X70 1 | HEX SCREW | | |
| 113 | 41 15 050 01 | 4 | SECHSKANTMUTTER ISO 4032 M16 10 A3C | HEX NUT | | |
| 114 | 42 00 511 01 | 2 | SCHEIBE ISO 7089 16 MS | WASHER | | |

26.5.2015
309557

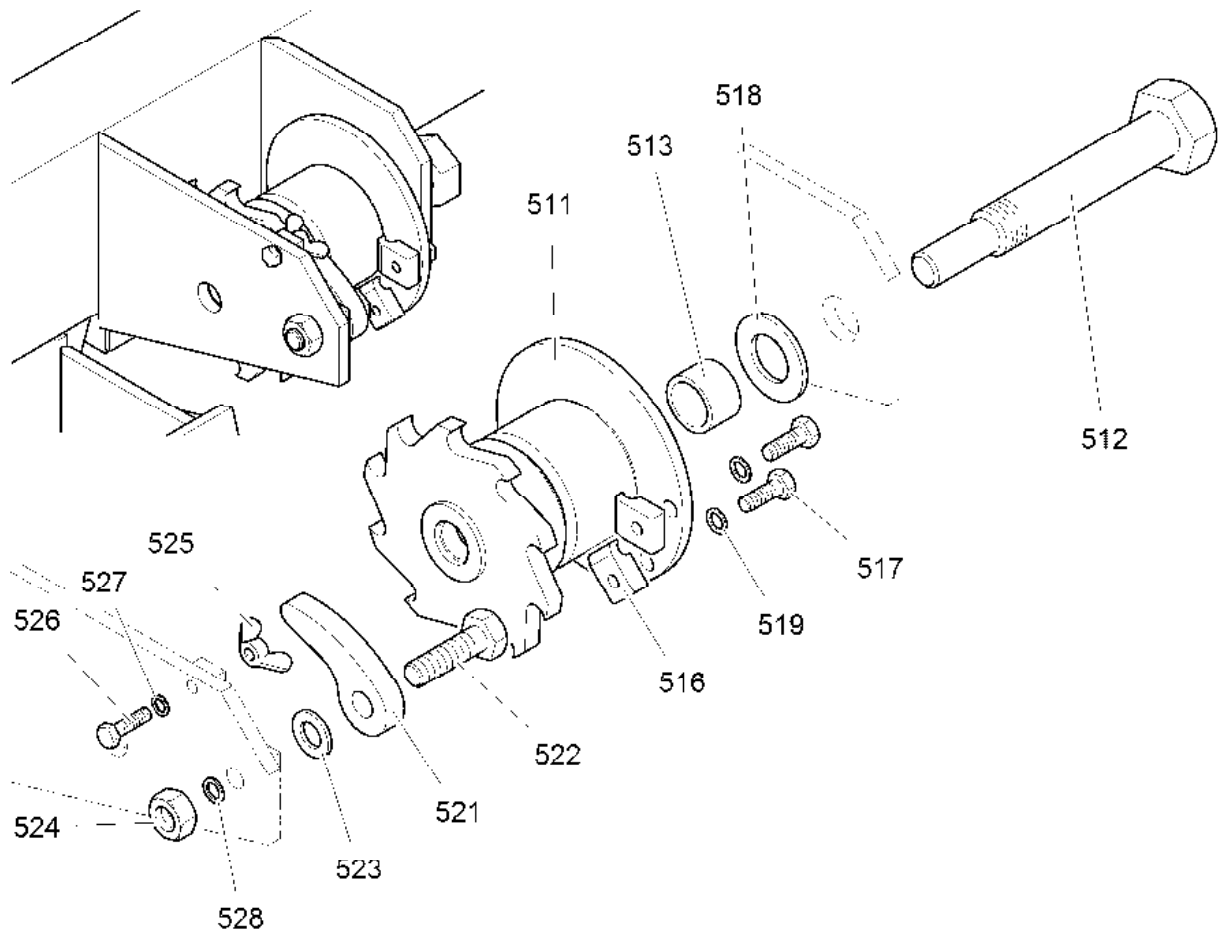
LE21035_150ecb8lit_etl_de

142

LIEBHERR

FAHRKORB
ELEVATOR CAGE

93 97 338 01



C 041.001-661.500

300532

| Pos. | Artikel | Menge | Bezeichnung | Description | Serie | K |
|------|--------------|-------|---|------------------|-------|---|
| 511 | 95 71 757 01 | 1 | SEILTROMMEL C041.001-661.511 | ROPE DRUM | | |
| 512 | 95 26 664 01 | 1 | ANSCHLUSSSCHRAUBE C026.001-661.512 | CONNECTING SCREW | | |
| 513 | 91 25 745 01 | 1 | ROHR LN 80 38X4X24 F409-0 00-00 S235JRH | TUBE | | |
| 516 | 95 71 759 01 | 2 | KLEMMSTUECK C041.001-661.516 5X25X33 | CLAMPING PIECE | | |
| 517 | 40 65 164 | 2 | SECHSKANTSCHRAUBE ISO 4017 M10X25 | HEX SCREW | | |
| 518 | 42 00 028 01 | 1 | SCHEIBE ISO 7089 30 200HV A3C A3C | WASHER | | |
| 519 | 42 39 110 01 | 2 | SICHERUNGSSCHEIBE VS 10 ZN5/CN/T2 V | LOCK WASHER | | |
| 521 | 90 62 683 01 | 1 | SPERRKLINKE C001.000-661.521 15X40X97 | DETENT PAWL | | |
| 522 | 46 00 044 | 1 | SECHSKANTSCHRAUBE ISO 4017 M16X55 | HEX SCREW | | |
| 523 | 42 00 019 01 | 1 | SCHEIBE ISO 7089 16 200HV A3C A3C | WASHER | | |
| 524 | 41 15 050 01 | 1 | SECHSKANTMUTTER ISO 4032 M16 10 A3C | HEX NUT | | |
| 525 | 41 00 004 01 | 1 | FLUEGELMUTTER DIN 315 M8 4 A2C VERZ | WING NUT | | |
| 526 | 49 00 111 | 1 | SECHSKANTSCHRAUBE ISO 4017 M8X30 8. | HEX SCREW | | |
| 527 | 42 39 108 01 | 1 | SICHERUNGSSCHEIBE 8,4/13X1,7 VS 8 ZN5/ | LOCK WASHER | | |
| 528 | 42 39 116 01 | 1 | SICHERUNGSSCHEIBE 17/24X2,6 VS ZN5/ | LOCK WASHER | | |

26.5.2015
300532

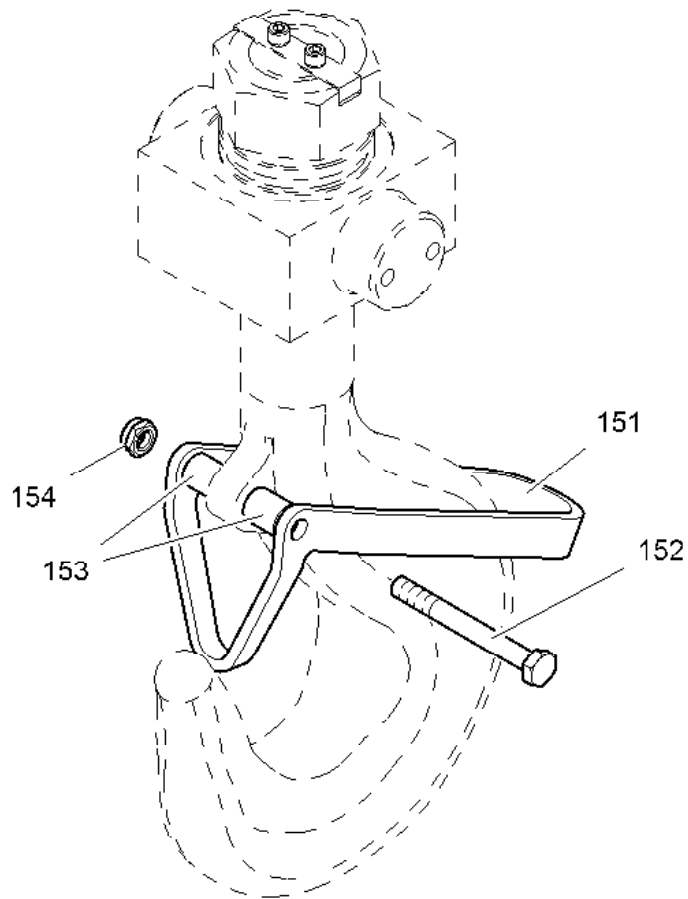
LE21035_150ecb8lit_etl_de

143

LIEBHERR

SPANNVORRICHTUNG
FASTENING DEVICE

95 71 756 01



LAH063EF021-150

300899

| Pos. | Artikel | Menge | Bezeichnung | Description | Serie | K |
|------|--------------|-------|--|----------------|-------|---|
| 151 | 96 85 869 01 | 1 | SICHERUNGSBUEGEL 6X105X526 LAH063 | SAFETY STIRRUP | | |
| 152 | 40 02 164 | 1 | SECHSKANTSCHRAUBE ISO 4014 M10X90 1 | HEX SCREW | | |
| 153 | 96 94 290 01 | 2 | ROHR LN 80 17,2X2,9X20 F409-0 00-00 S355 | TUBE | | |
| 154 | 41 19 024 01 | 1 | SECHSKANTMUTTER DIN 985 M10 8 A3C A3 | HEX NUT | | |

26.5.2015
300899

LIEBHERR

LE21035_150ecb8lit_etl_de

SICHERUNGSBUEGEL
SAFETY STIRRUP

144

96 85 897 01