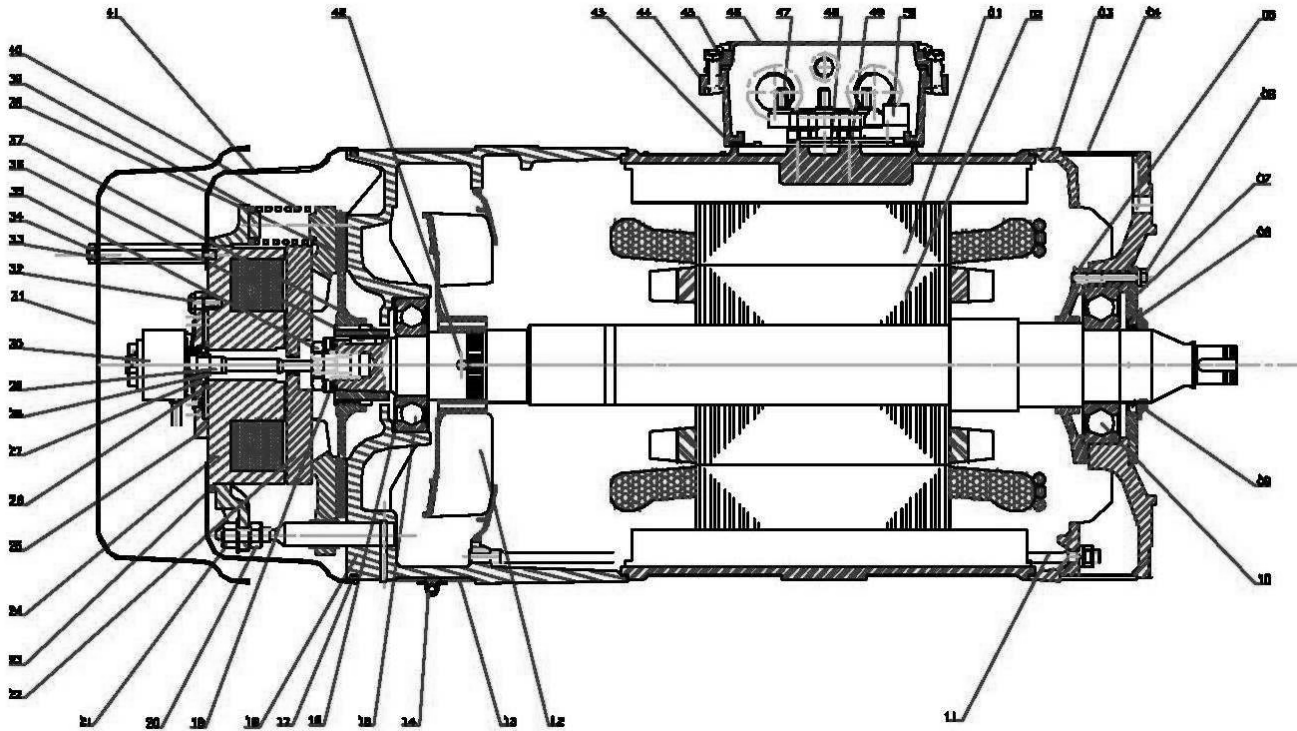


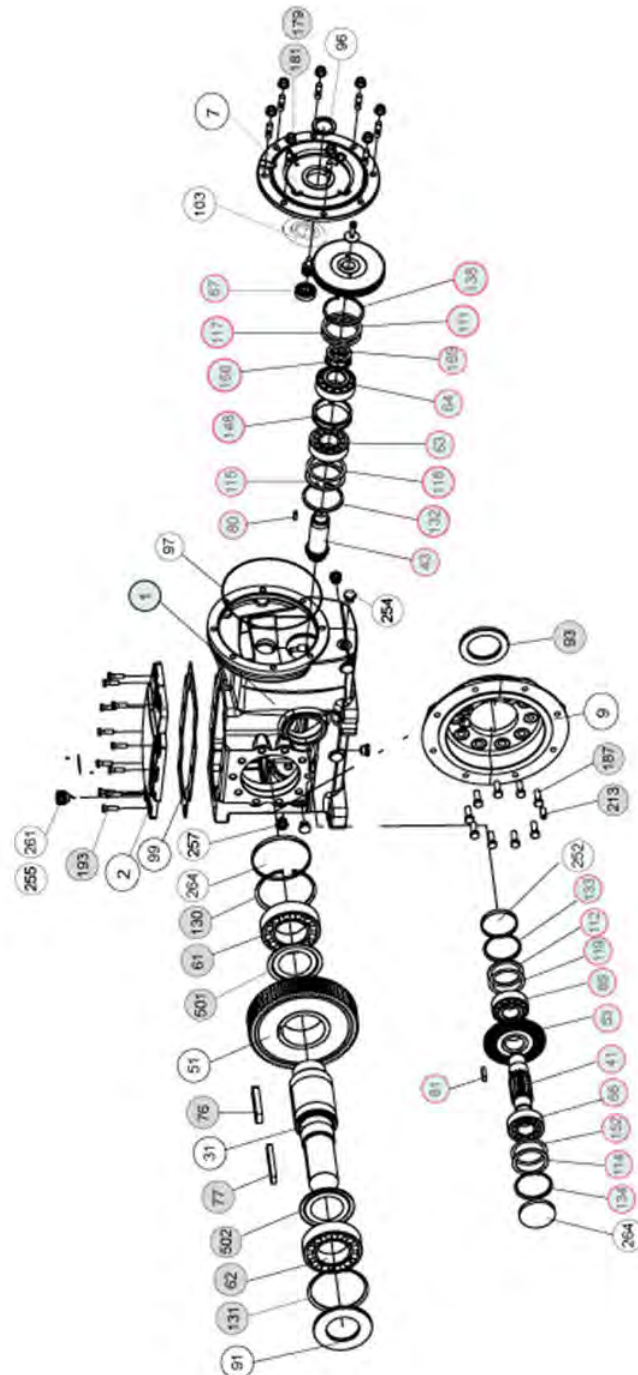
3. WARTUNG UND ERSATZTEILE DES HUBMOTORS



Nr.	Stk.	Bezeichnung	Ref.
1	1	Stator	*
2	1	Rotor	*
3	1	Frontdeckel	013F156180
4	1	Bereichsschutz	051F800060
5	1	Innerer Frontdeckel	026E506180
6	3	Schraube	42 - (HM8x55)
7	1	Äußerer Frontdeckel	026F507180
8	1	Tisch	070U302060
9	1	Abweiser	070E310200
10	1	Frontlager	080C060130
11	4	Befestigung Messstab	045C202010
12	1	Lüfter	056F208060
13	1	Hintere Platte	051F801060
14	2	Halterungsklammer	044E800054
15	1	Rücklager	080C050110
16	1	Federscheibe	042L400110
17	1	Einheit Haube	965E000006
18	1	Hintere Platte	011F609060

Nr.	Stk.	Bezeichnung	Ref.
19	1	Trep-Scheibe	042J400023
20	3	Mutter	708
21	3	Kombimutter	045C008012
22	1	Elektr. Läufer	057AA0600004
23	1	Einheit quadratisch	070E310060
24	1	Elekt. Gegenstück	EC060370002
25	1	Halterung Encoder	066F424068
26	1	Federring	070E380031
27	1	Lager	080P015032
28	1	Federring	073U000015
29	1	Achse Encoder	030F607000
30	1	Encoder	065E912000
31	1	Deckel Encoder	063F500060
32	3	Schraube	31
33	3	Bolzen	045C270008
34	3	Mutter	706
35	1	Sonderschraube	045F002022
36	1	Federstecker	68-5320
37	1	Gewellte Leiste	041U501058
38	1	Bremsscheibe	065AA0600006
39	6	Buchse Regler	070E202054
40	6	Feder	058E122054
41	1	Bremsblech	063F504060
42	1	Lüfterbolzen	059M008015
43	1	Abschlussplatte Kasten	070E312180
44	1	Abschlussgehäuse Kasten	057AA1800007
45	1	Abschlussplatte Deckel	070E311180
46	1	Abschlussdeckel Kasten	066B800180
47	1	Anschlusskasten	055AA6080001
48	1	Halterung Anschlussplatte	066AA0540004
49	1	Halterung Gleichrichter	066AA0540005
50	1	Gleichrichter	069E807046

4. ERSATZTEILE FÜR DAS HUB-UNTERSETZUNGSGETRIEBE



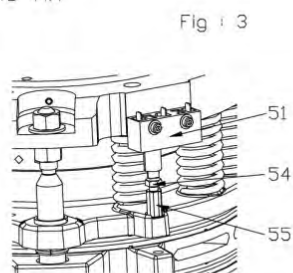
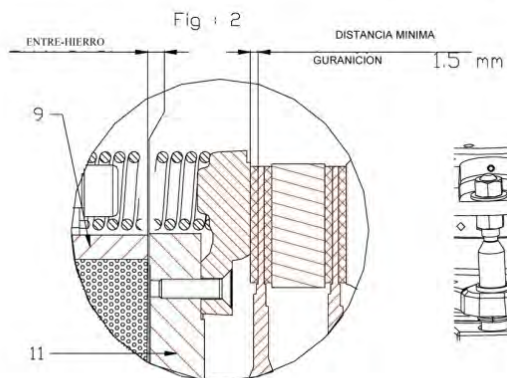
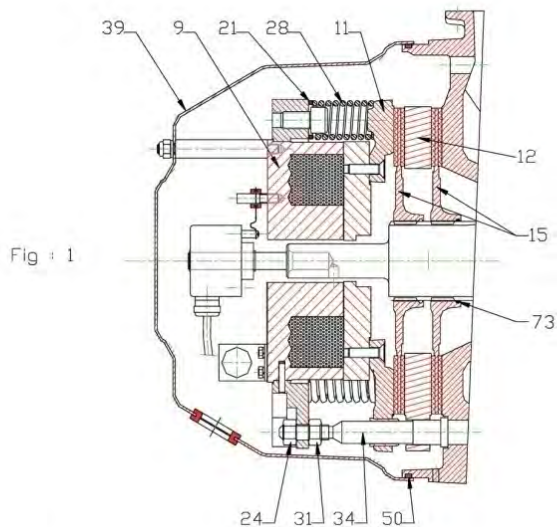
No.	33LT L/R/LR	Characteristics	Code	Price (€ HT)	Reference of part/Marking	Packaging	Packaging components
1 - Housing pre-assembly (with bevel gear)	all	S(V2) Feet Housing	ROC700PR101P	3963.75	-	Pre-assembly kit	1-253-134-114-152-66-53-41- 81-65-119-111-112-115-117- 118-133-132-138-252-63-43- 148-64-152-155-154-153
			ROC700PR102P	4304.53	-	Pre-assembly kit	1-253-134-114-152-66-53-41- 81-65-119-111-112-115-117- 118-133-132-138-252-63-43- 148-64-152-155-154-153
			ROC700PR103P	2424.5	-	Pre-assembly kit	1-253-134-114-152-66-53-41- 81-65-119-111-112-115-117- 118-133-132-138-252-63-43- 148-64-152-155-154-153
		S(V2) Feet Housing	ROC700PR104P	3930.36	-	Pre-assembly kit	1-253-134-114-152-66-53-41- 81-65-119-111-112-115-117- 118-133-132-138-252-63-43- 148-64-152-155-154-153
			ROC700PR105P	4160.89	-	Pre-assembly kit	1-253-134-114-152-66-53-41- 81-65-119-111-112-115-117- 118-133-132-138-252-63-43- 148-64-152-155-154-153
			ROC700PR106P	4822.6	-	Pre-assembly kit	1-253-134-114-152-66-53-41- 81-65-119-111-112-115-117- 118-133-132-138-252-63-43- 148-64-152-155-154-153
	all	Cast iron L/R/LR/H	ROC370KH002	299.23	PMO047PU003	Cover kit	2-99-193
			RCC360KJ001	427.46	PMO030PU030	flange adaptor kit	7-96-103-179-181
			RCC360KJ002	469.37	PMO030PU016	flange adaptor kit	7-96-103-179-181
			RCC360KJ003	540.37	PMO030PU018	flange adaptor kit	7-96-103-179-181
			RCC360KJ004	444.82	PMO030PU020	Flange adapter MI/AP kit	7-96-103-179-181
			RCC360KJ005	472.19	PMO030PU022	flange adaptor kit	7-96-103-179-181
all	Cast iron L/S225(S38)	RCC360KJ006	677.18	PMO030PU026	flange adaptor kit	7-96-103-179-181	
		Cast iron L/S					
		90(H15)100(H15/H18)112 M(H18)					
		Cast iron L/S112M(G/H18)132S(H23)					
		Cast iron L/S132M(H23)					
		Cast iron L/S160L/R/M/P(H32)					
7 - Face plate	all	Cast iron L/S180(H32)200(S32) Cast iron L/S225(S38)	RCC360KJ005	472.19	PMO030PU022	flange adaptor kit	7-96-103-179-181
			RCC360KJ006	677.18	PMO030PU026	flange adaptor kit	7-96-103-179-181

No.	33LT L/R/LR	Characteristics	Code	Price (€ HT)	Reference of part/Marking	Packaging	Packaging components
9 - Output flange	all	Cast iron BD F400	ROC370KB001	677.99	PM0035PU025	Output flange kit	9-187-213
15 - Hollow shaft cover		Sheet steel H Hollow shaft	ROC370KH001	109.47	-	Hollow shaft protective cover kit	15-203
16 - Cover shrink disc		Sheet steel	ROC370KH003	128.1	-	Cover shrink disc kit	16-204
17 - Torque arm		RK	ROC370KT001	685.89	-	Torque arm kit	17-195-213-281
		Steel H Ø80 Hollow shaft	ROC370KA006	1635.12	ABE140RC024	Output shaft kit	31-61-62-90-91-130-131
		Steel H Ø90 Hollow shaft	ROC370KA003	1417.23	ABE140RC015	Output shaft kit	31-61-62-90-91-130-131
		Steel S L/R 90x170 1 smooth input shaft	ROC370KA103	1280.05	ABE140RC016	Output shaft kit	31-61-62-90-91-130-131-501-502
		Steel S L/R 90x170 1 long input shaft	ROC370KA108	1265.63	ABE130RC026	Output shaft kit	31-61-62-77-91-130-131-264-501-502
		Steel SBT L/R 90x170 1 Output shaft	ROC370KA002	1340.15	ABE130RC022	Output shaft kit	31-61-62-77-90-113-121-130-131-264-501-502
		Steel SBT L/R 90x170 2 short output shafts	ROC370KA102	2194.28	ABE130RC020	Output shaft kit	31-61-62-77-91-130-131-264-501-502
	all	Steel SDL Ø95 (with shrink disc to left)	ROC370KA001	1349.27	ABE130RC021	Output shaft kit	31-61-62-77-90-113-121-130-131-264-501-502
		Steel SDR Ø95 (with shrink disc to right)	ROC370KA101	1562.25	ABE130RC019	Output shaft kit	31-61-62-77-91-130-131-264-501-502
		L/R/LR/H	ROC370KA107	2071.48	ABE130RC025	Output shaft kit	31-61-62-77-90-91-130-131-501-502
	all	L/R/LR/H	ROC370KA005	1587.1	ABE140RC021	Output shaft kit	31-61-62-90-91-130-131
51 - Delivery wheel		Superior Nitrile AS 120x180x15	ROC370KA004	1357.58	ABE140RC020	Output shaft kit	31-61-62-90-91-130-131
90-91 - Ring seal		L/R/LR/H	ROC353KR002	705.5	ENG087RE028	Wheel kit	51-76
		Superior Nitrile AS 100x180x12	ROC370KR002	2153.55	ENG095RE005	Wheel kit	51-76
91 - Lip seal	all	Superior Nitrile AS 100x180x12	JOI120BM002P	25.85	-	Individual part	-
		Superior Nitrile AS 100x180x12	JOI100BM005P	24.26	-	Individual part	-

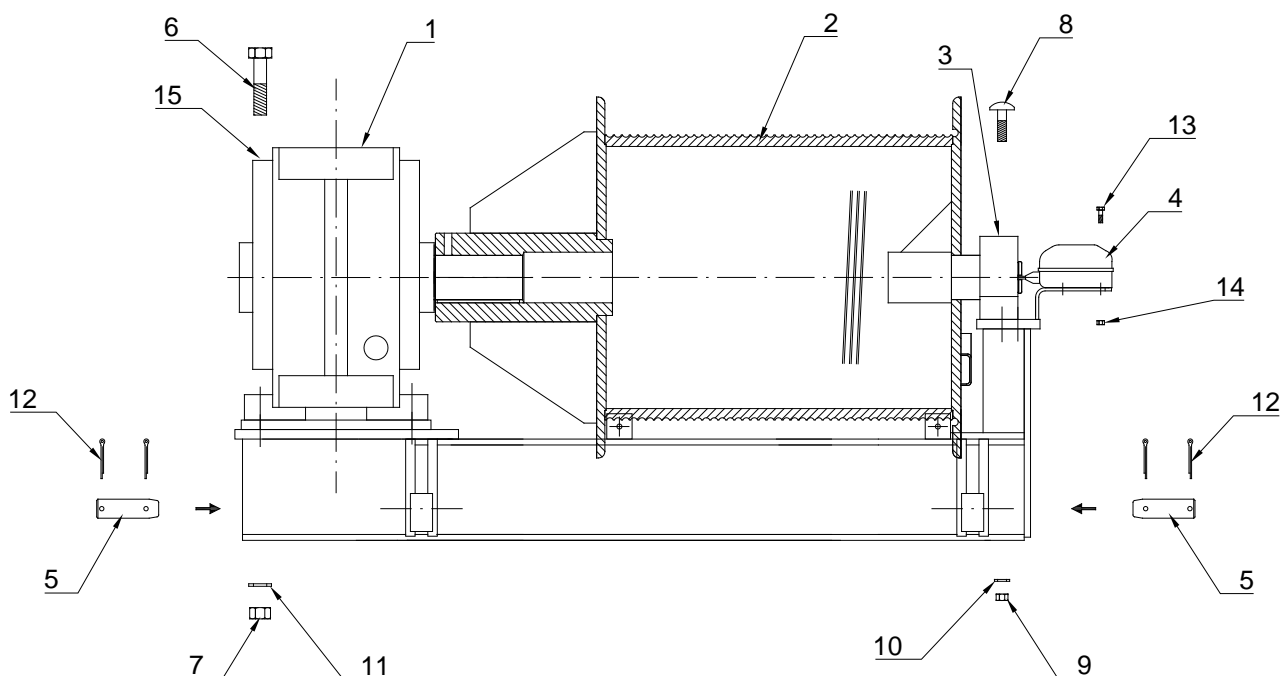
No.	33LT L/R/LR	Characteristics	Code	Price (€ HT)	Reference of part/Marking	Packaging	Packaging components
96 - Lip seal	all	Superior Nitrile A 45x72x8	RCB230LT011	24		Set of seal gasket	Qté 5
		Superior Nitrile A 58x80x12	RCC350LR003	36.84		Set of seal gasket	Qté 5
		Superior Nitrile AS 35x47x8	RCC300LR013	24		Set of seal gasket	Qté 5
		Superior Nitrile AS 40x68x7	RCC300LR011	30.52		Set of seal gasket	Qté 5
		Superior Nitrile AS 62x120x12 (AP/MU)	RCC340LR002	33.14		Set of seal gasket	Qté 5
		295x3 (AP/MU)	RCB250LT002	24		Set of "O" rings	Qté 5
			ROC370LQ002	108.6		Set of cover seals	Qté 5
			RCB200LT013	24		Set of deflector	Qté 5
			RCB200LT018	24		Set of deflector	Qté 5
			MAF240LJ001	43.28		Set of deflector	Qté 5
103 - Deflector	all	Neoprene DM0703 S25/32/40 H30	MAF240LJ002	43.28		Set of deflector	Qté 5
		Neoprene DM0704 S25/32/40 H30	MAF240LJ002	43.28		Set of deflector	Qté 5
252-253 - Obturating plug	all	110x10	RPB250LT001	24	QUI110BD101	Set of obturating plug	Qté 3
254 - Plug	all	3/4 gaz	RCB260LT002	24.91	QUI026BU006	Set of plugs	Qté 5
		3/8 gaz	RM660LT001	30.29	QUI024BU001	Set of plugs	Qté 5
257 - Magnetic plug	all	3/4 gaz	RCB260LT003	42.21	QUI026BU005	Set of Magnetic plug	Qté 5
261 - Gauge plug with filter and breather	all	500mm	ROC360LQ002	145.95	QUI026BP019	Set of Gauge plug	Qté 5
281 - Joint		Elastic for Torque arm	ROC360LQ001	584.33	QUI024AC001	Set of Joint	Qté 3
302 - Shrink disc		Steel H Ø120	TRA120FR001	428.94		Individual part	

No.	33LT L/R/LR	Characteristics	Code	Price (€ HT)	Reference of part/Marking	Packaging	Packaging components
KM - Emergency repair/maintenance kit	all	SBT H Ball bearings/Lipseal (Hollow shaft)	ROC370KM002	334.43		Emergency repair/maintenance kit	61-62-90-91-99
		SBT H Bearings taper/Lipseal (Hollow shaft)	ROC370KM004	379.61		Emergency repair/maintenance kit	61-62-90-91-99-501-502
		SBT L/R Bearings taper/Lipseal	ROC370KM001	367.82		Emergency repair/maintenance kit	61-62-90-91-99-501-502
KM - Emergency repair/maintenance kit	all	SBT L/R Reinforced bearings/Lipseal (input shaft)	ROC370KM003	521.18		Emergency repair/maintenance kit	61-62-91-99-501-502
		SBT LR Reinforced bearings/Lipseal (2 output shafts)	ROC370KM005	544.95		Emergency repair/maintenance kit	61-62-90-91-99-501-502

FRENO FCPL60H



6. ERSATZTEILE FÜR HEBEVORRICHTUNG MODELL 45HP 10T



HEBESYSTEM 45 HP			
REF.	STÜCKZAHL	BEZEICHNUNG	KENNRN. ERSATZTEIL
1	1	HUB-UNTERSETZUNGSGETRIEBE	OT 3733 – i=26.9
2	1	HUBTROMMEL Ø450 mm	--
3	1	LAGER MIT HALTERUNG NSK 6310-DDU	--
4	1	LAUFWEGBEGRENZER DES HUBWERKS	GF4C – 1:250
5	4	BOLZEN Ø30x98	V 05 500 001
6	4	SCHRAUBE M20x90	--
7	4	MUTTER M20	--
8	2	SCHRAUBE LAUFKATZE M12x50	--
9	2	MUTTER M12	--
10	2	SCHEIBE M12	--
11	4	SCHEIBE M20	--
12	8	SPLINT Ø6x60	--
13	2	SCHRAUBE M6x15	--
14	2	MUTTER M6	--
15	1	HUBMOTOR	PW 60