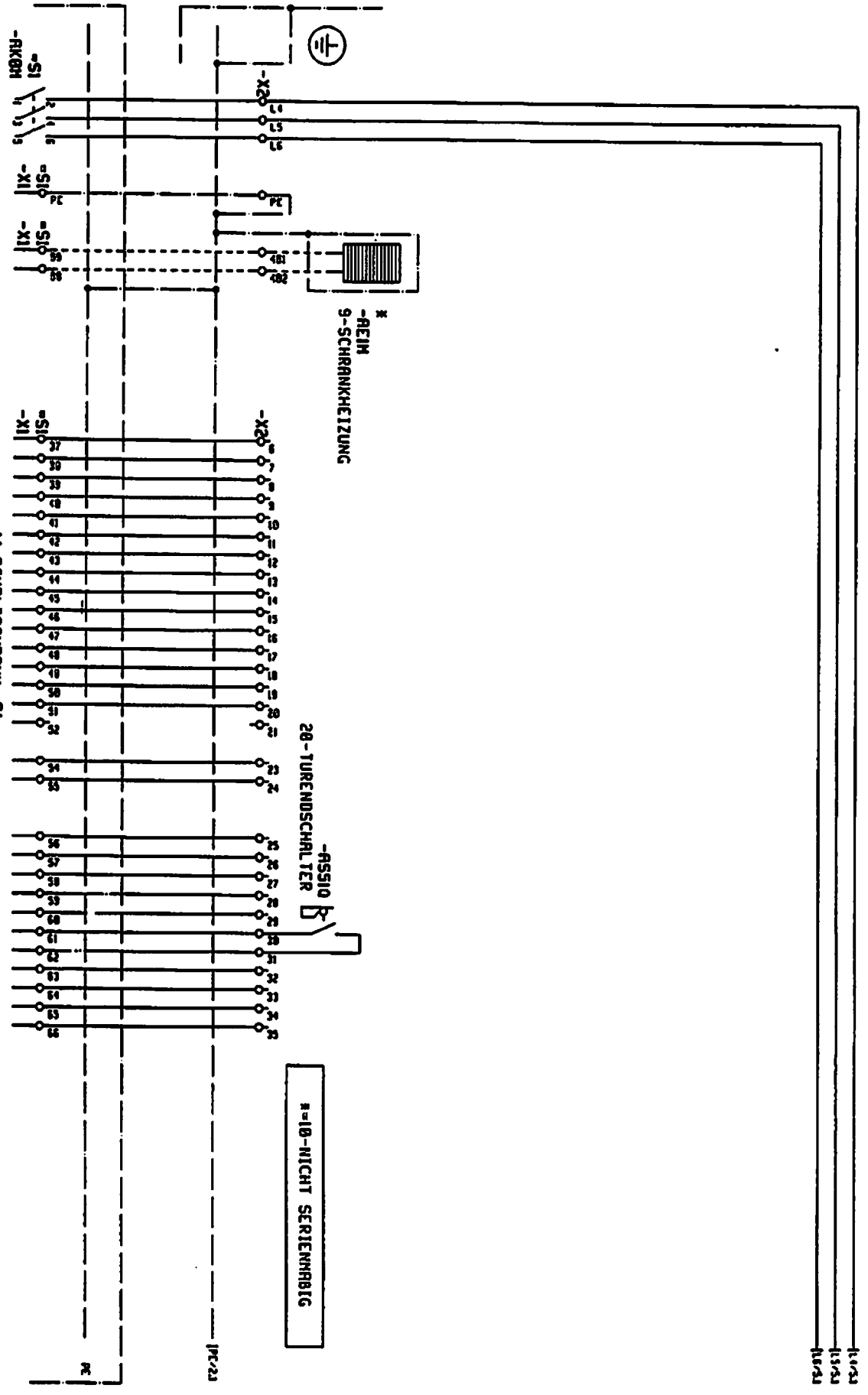
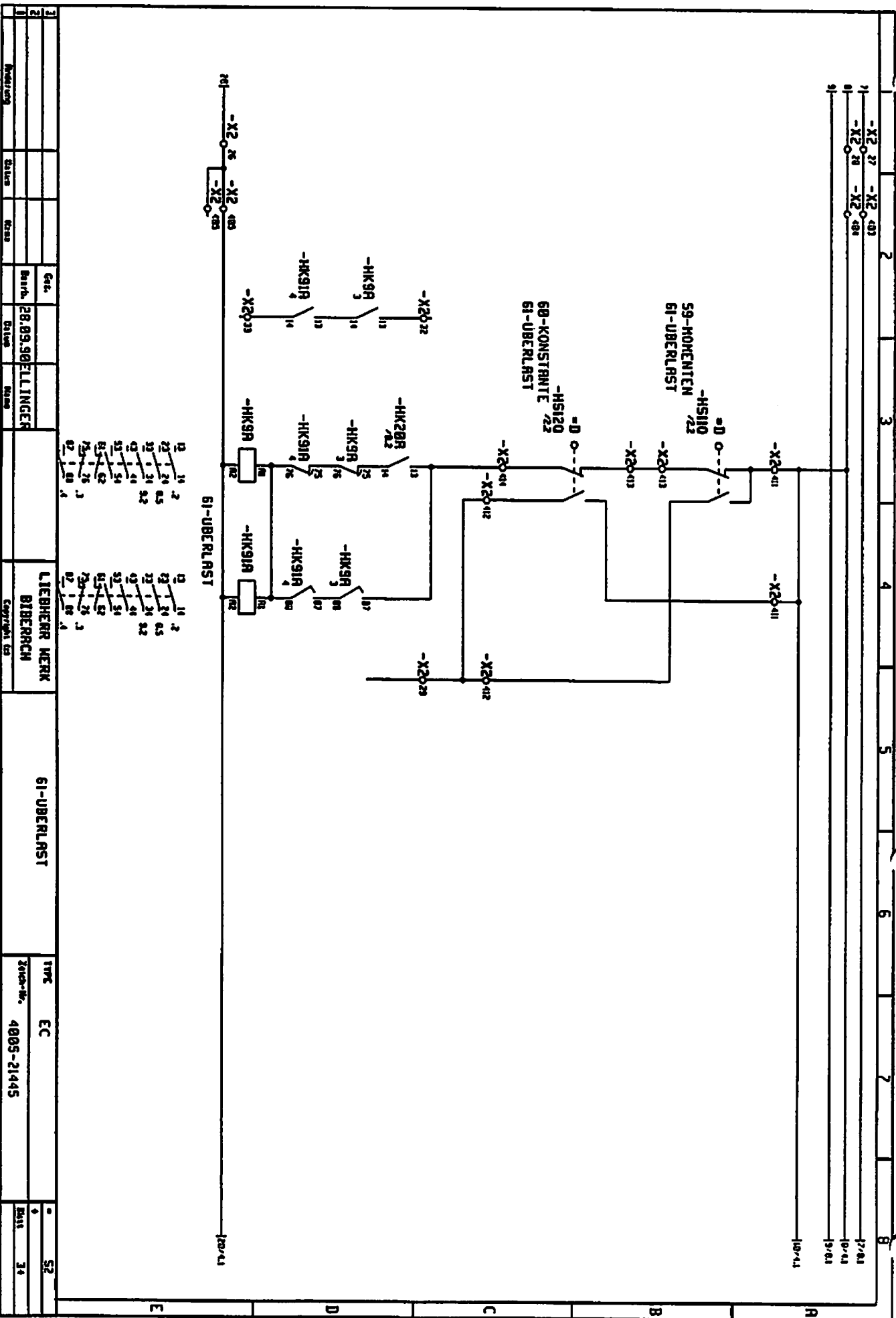


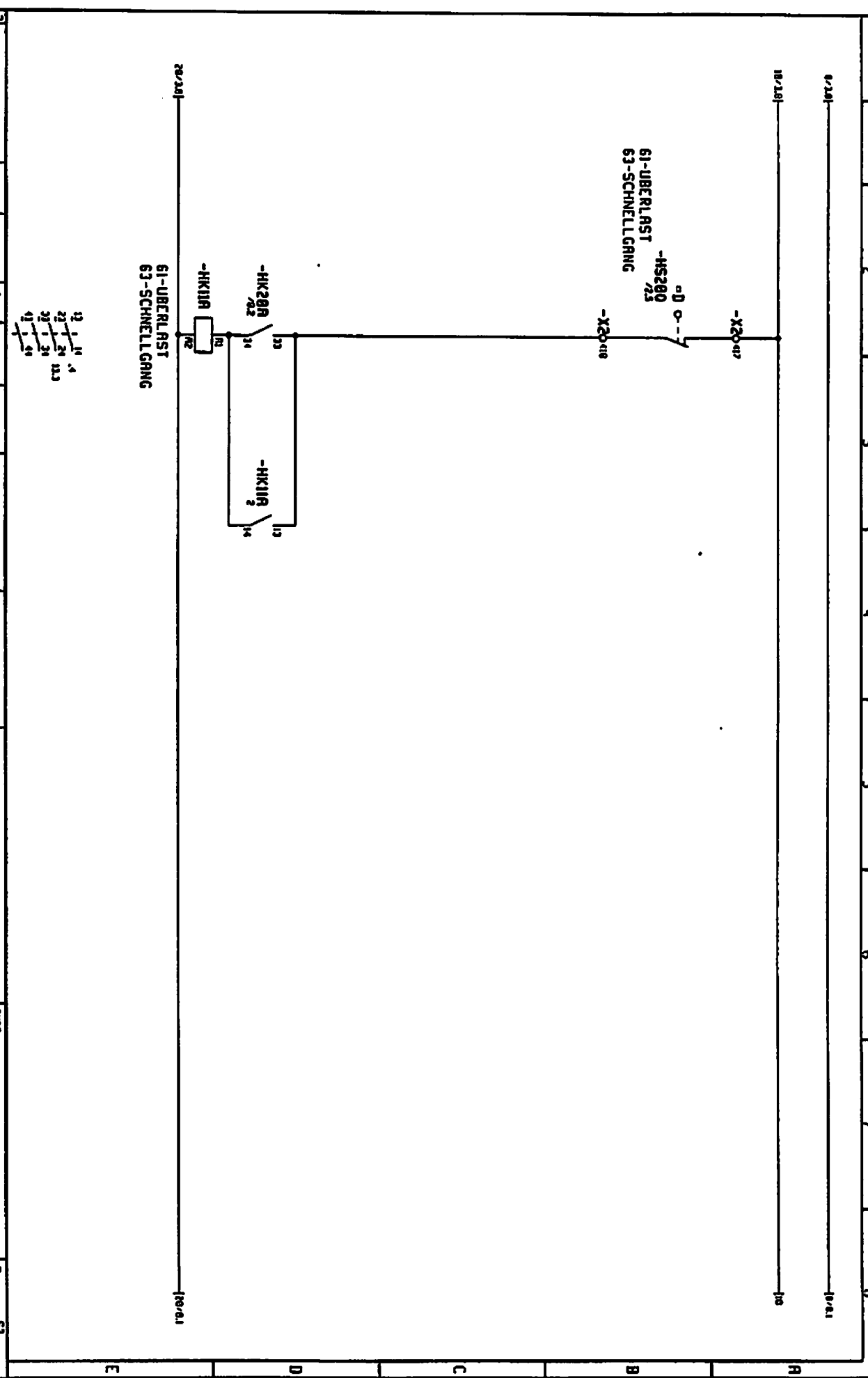
2 3 4 5 6 7 8



31	Cre.					
2	Bauh.	28.09.90	ELLINGER			
1	Projektierung					
	Datum					
	Rev.					
	Revis.					
LIEBHERR WERK BIBIRACH			II-EINSPEISUNG		Trnk	EC
					Zust.-Nr.	4005-21445
						S2
					Datum	14

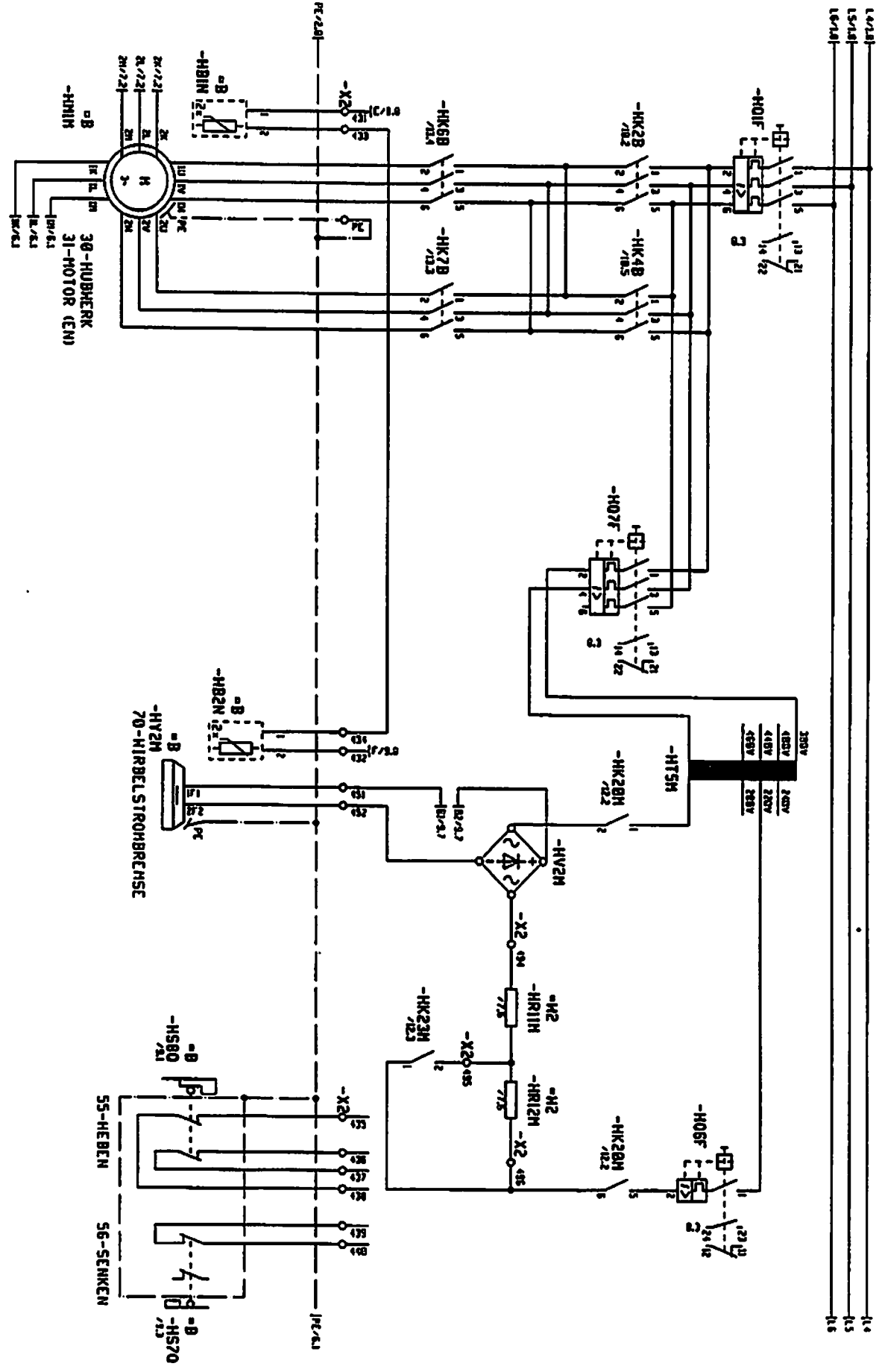


1 2 3 4 5 6 7 8

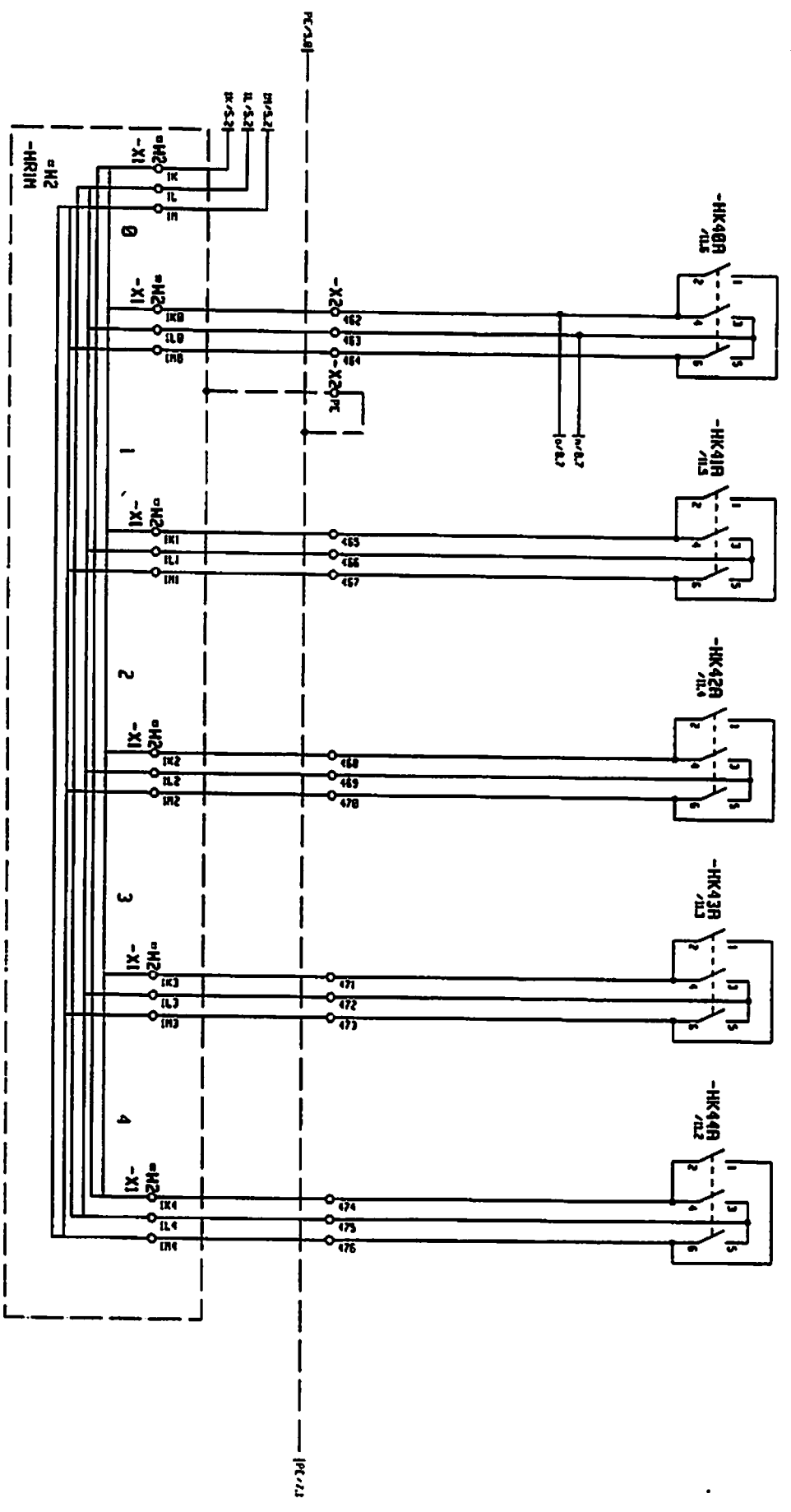


13 14 15
23 24 25
33 34 35
43 44 45

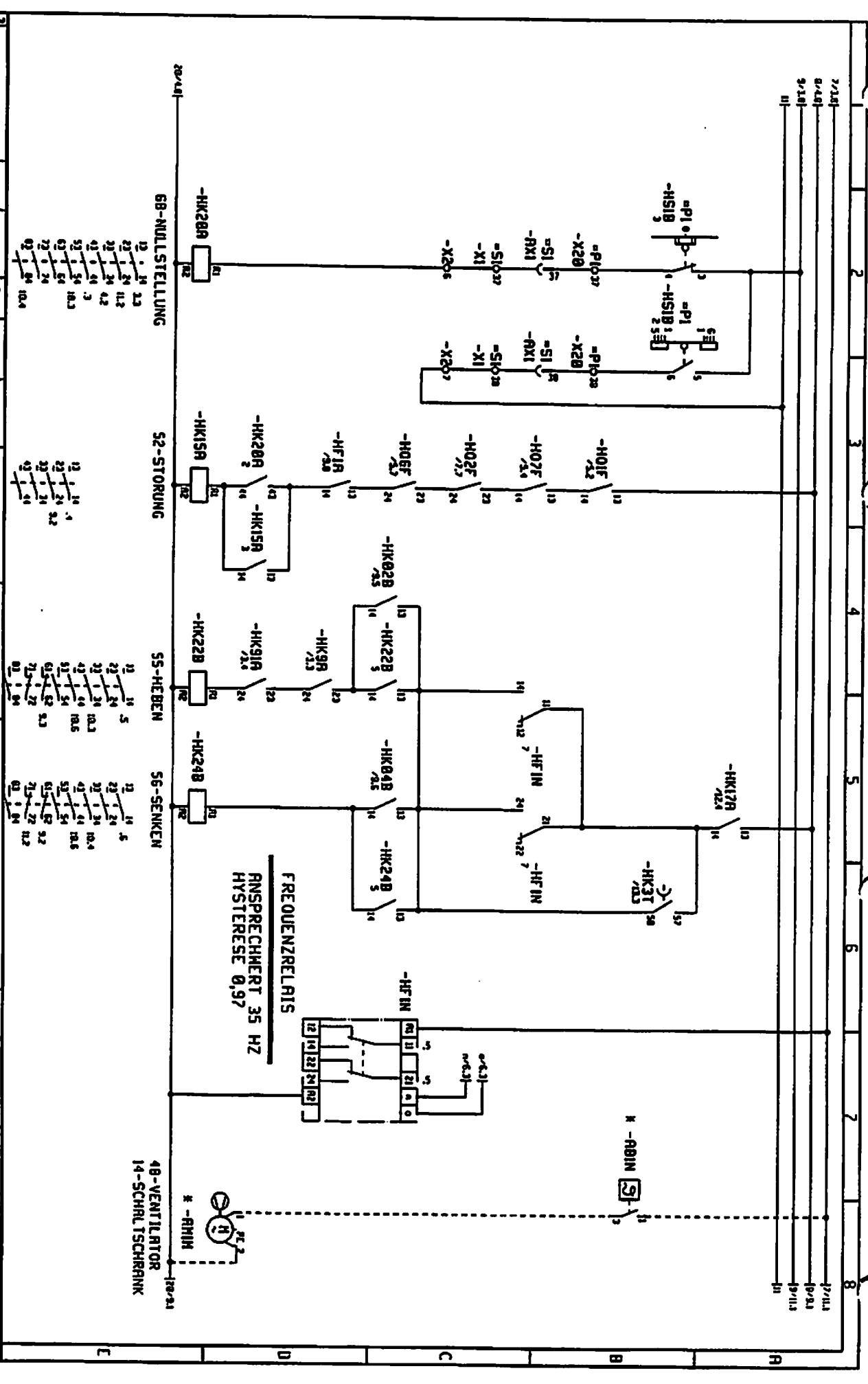
1	2	3	4	5	6	7	8	9	10
Anforderung		Datum		Masse		Geh.		Zusatz-Nr.	
				28.09.90		ELLINGER		LIEBHERR MERK BIBERRACH	
				Masse		Copyright IGT		61-UBERLAST	
								typ EC	
								Zeich.-Nr. 4005-21945	
								Blatt 52	
								44	



3	EC	4005-21445	52
2	EC	4005-21445	52
1	EC	4005-21445	52
Hersteller: LIEBHERR WERK BIBERACH Datum: 28.09.98 Zeich.-Nr.: 4005-21445		Name: ELL JINGGER Datum: No. 52	



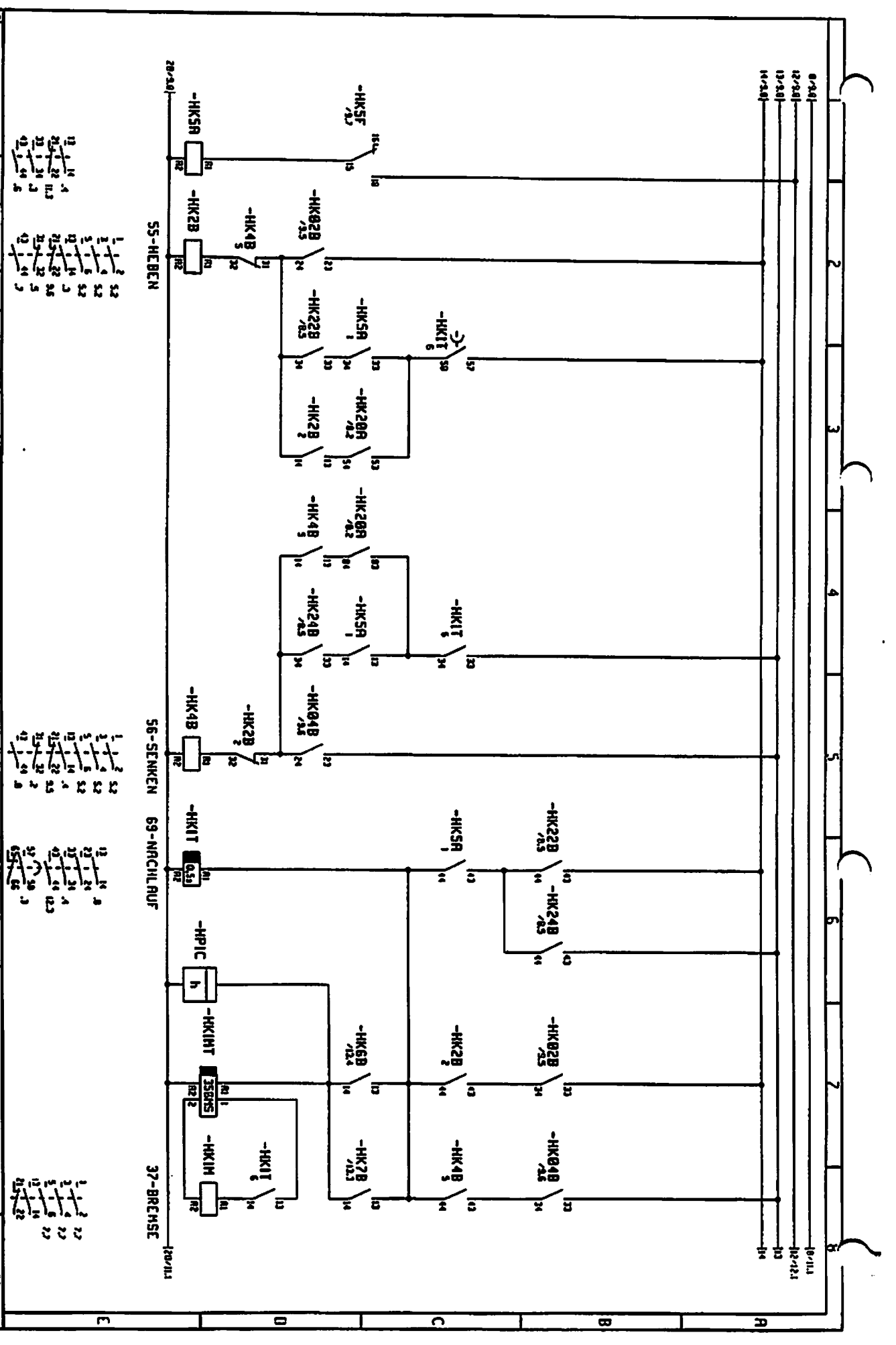
3	Grt.		30-HUBNERK		IWC	EC	52
2	Bauh.		LIEBHERR WERK BIBERACH		Zersch.-nr.	4805-21445	54
1	Rechenart	Buten	Wiss	Copyright Ltd			
1	Grt.		28.09.90		54		
1	Bauh.		ELLINGER				
1	Rechenart		Wiss				



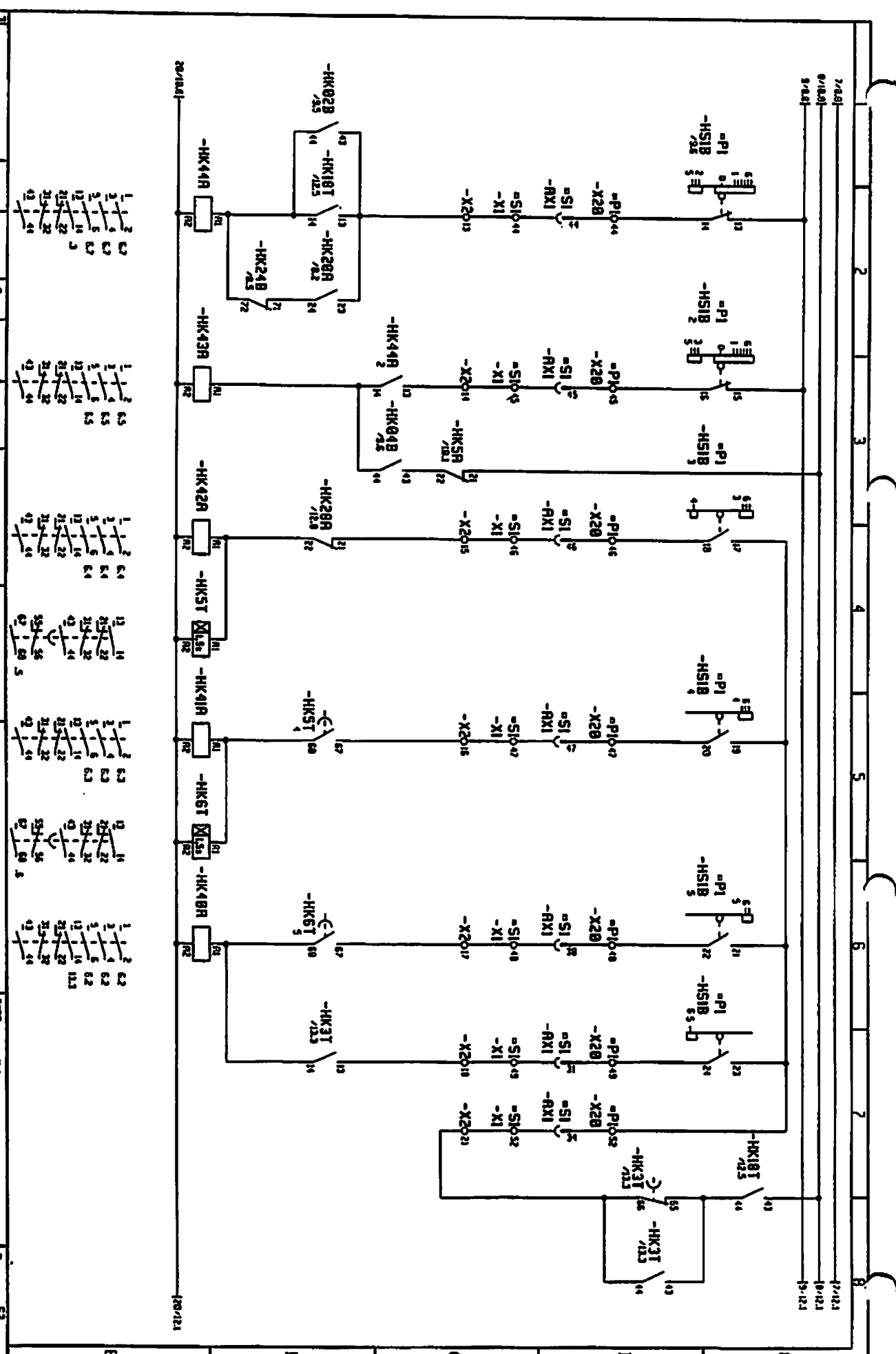
7/21d	2	3	4	5	6	7	8
8/4d							
9/1d							
11							
12							
13							
14							
15							
16							
17							
18							
19							
20							
21							
22							
23							
24							
25							
26							
27							
28							
29							
30							
31							
32							
33							
34							
35							
36							
37							
38							
39							
40							
41							
42							
43							
44							
45							
46							
47							
48							
49							
50							
51							
52							
53							
54							
55							
56							
57							
58							
59							
60							
61							
62							
63							
64							
65							
66							
67							
68							
69							
70							
71							
72							
73							
74							
75							
76							
77							
78							
79							
80							
81							
82							
83							
84							
85							
86							
87							
88							
89							
90							
91							
92							
93							
94							
95							
96							
97							
98							
99							
100							

68-NULSTELLUNG
 52-STORUNG
 55-HEBEN
 56-SENKEN
 FREQUENZRELEIS
 RNSPRECHERT 35 HZ
 HYSTERESE 0,97
 48-VENTILATOR
 14-SCHLTSCHIRNKE

3									
2									
1									
Referenz	Datum	Nach	Beinh.	Datum	Nach	Copyright	Typ	EC	52
			28.09.90			LIEBHERR WERK BIBERACH	Zersch.-Nr.	4085-21445	90



10/11		12/12		12/13		12/14	
11/11		11/12		11/13		11/14	
12/11		12/12		12/13		12/14	
13/11		13/12		13/13		13/14	
14/11		14/12		14/13		14/14	
15/11		15/12		15/13		15/14	
16/11		16/12		16/13		16/14	
17/11		17/12		17/13		17/14	
18/11		18/12		18/13		18/14	
19/11		19/12		19/13		19/14	
20/11		20/12		20/13		20/14	
21/11		21/12		21/13		21/14	
22/11		22/12		22/13		22/14	
23/11		23/12		23/13		23/14	
24/11		24/12		24/13		24/14	
25/11		25/12		25/13		25/14	
26/11		26/12		26/13		26/14	
27/11		27/12		27/13		27/14	
28/11		28/12		28/13		28/14	
29/11		29/12		29/13		29/14	
30/11		30/12		30/13		30/14	
31/11		31/12		31/13		31/14	
32/11		32/12		32/13		32/14	
33/11		33/12		33/13		33/14	
34/11		34/12		34/13		34/14	
35/11		35/12		35/13		35/14	
36/11		36/12		36/13		36/14	
37/11		37/12		37/13		37/14	
38/11		38/12		38/13		38/14	
39/11		39/12		39/13		39/14	
40/11		40/12		40/13		40/14	
41/11		41/12		41/13		41/14	
42/11		42/12		42/13		42/14	
43/11		43/12		43/13		43/14	
44/11		44/12		44/13		44/14	
45/11		45/12		45/13		45/14	
46/11		46/12		46/13		46/14	
47/11		47/12		47/13		47/14	
48/11		48/12		48/13		48/14	
49/11		49/12		49/13		49/14	
50/11		50/12		50/13		50/14	
51/11		51/12		51/13		51/14	
52/11		52/12		52/13		52/14	
53/11		53/12		53/13		53/14	
54/11		54/12		54/13		54/14	
55/11		55/12		55/13		55/14	
56/11		56/12		56/13		56/14	
57/11		57/12		57/13		57/14	
58/11		58/12		58/13		58/14	
59/11		59/12		59/13		59/14	
60/11		60/12		60/13		60/14	
61/11		61/12		61/13		61/14	
62/11		62/12		62/13		62/14	
63/11		63/12		63/13		63/14	
64/11		64/12		64/13		64/14	
65/11		65/12		65/13		65/14	
66/11		66/12		66/13		66/14	
67/11		67/12		67/13		67/14	
68/11		68/12		68/13		68/14	
69/11		69/12		69/13		69/14	
70/11		70/12		70/13		70/14	
71/11		71/12		71/13		71/14	
72/11		72/12		72/13		72/14	
73/11		73/12		73/13		73/14	
74/11		74/12		74/13		74/14	
75/11		75/12		75/13		75/14	
76/11		76/12		76/13		76/14	
77/11		77/12		77/13		77/14	
78/11		78/12		78/13		78/14	
79/11		79/12		79/13		79/14	
80/11		80/12		80/13		80/14	
81/11		81/12		81/13		81/14	
82/11		82/12		82/13		82/14	
83/11		83/12		83/13		83/14	
84/11		84/12		84/13		84/14	
85/11		85/12		85/13		85/14	
86/11		86/12		86/13		86/14	
87/11		87/12		87/13		87/14	
88/11		88/12		88/13		88/14	
89/11		89/12		89/13		89/14	
90/11		90/12		90/13		90/14	
91/11		91/12		91/13		91/14	
92/11		92/12		92/13		92/14	
93/11		93/12		93/13		93/14	
94/11		94/12		94/13		94/14	
95/11		95/12		95/13		95/14	
96/11		96/12		96/13		96/14	
97/11		97/12		97/13		97/14	
98/11		98/12		98/13		98/14	
99/11		99/12		99/13		99/14	
100/11		100/12		100/13		100/14	



1	L1	C1
2	L2	C2
3	L3	C3
4	L4	C4
5	L5	C5
6	L6	C6
7	L7	C7
8	L8	C8
9	L9	C9
10	L10	C10

1	L1	C5
2	L2	C5
3	L3	C5
4	L4	C5
5	L5	C5
6	L6	C5
7	L7	C5
8	L8	C5
9	L9	C5
10	L10	C5

1	L1	C4
2	L2	C4
3	L3	C4
4	L4	C4
5	L5	C4
6	L6	C4
7	L7	C4
8	L8	C4
9	L9	C4
10	L10	C4

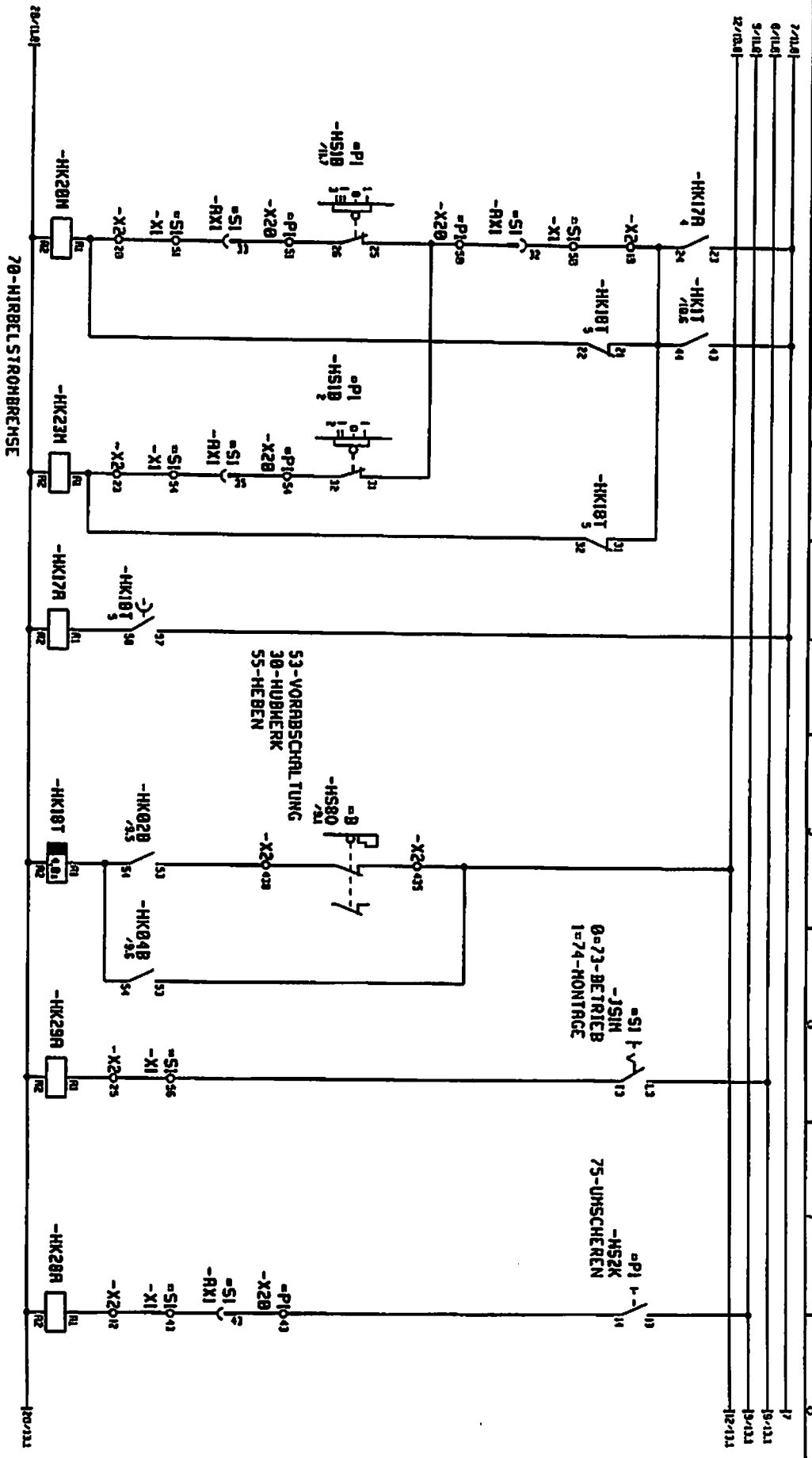
1	L1	C4
2	L2	C4
3	L3	C4
4	L4	C4
5	L5	C4
6	L6	C4
7	L7	C4
8	L8	C4
9	L9	C4
10	L10	C4

1	L1	C3
2	L2	C3
3	L3	C3
4	L4	C3
5	L5	C3
6	L6	C3
7	L7	C3
8	L8	C3
9	L9	C3
10	L10	C3

1	L1	C4
2	L2	C4
3	L3	C4
4	L4	C4
5	L5	C4
6	L6	C4
7	L7	C4
8	L8	C4
9	L9	C4
10	L10	C4

1	L1	C2
2	L2	C2
3	L3	C2
4	L4	C2
5	L5	C2
6	L6	C2
7	L7	C2
8	L8	C2
9	L9	C2
10	L10	C2

2	Calc.	EC
1	Author.	Zschew. 4805-21445
Datum Revision 20.09.90 ELLINGER Datum Revision Copyright ©		17/121 19/121 19/121 19/121 17/121 19/121



1	2	3	4	5	6	7	8
20/140V	22	43	37	43	13	11	17
0/140V	34	44	38	31	12	10	18-122
0/140V	23	42	39	32	11	11	19-122
20/140V	22	32	30	34	12	12	12-122

1	2	3	4	5	6	7	8
1	2	3	4	5	6	7	8
2	3	4	5	6	7	8	9
3	4	5	6	7	8	9	10
4	5	6	7	8	9	10	11
5	6	7	8	9	10	11	12
6	7	8	9	10	11	12	13
7	8	9	10	11	12	13	14
8	9	10	11	12	13	14	15
9	10	11	12	13	14	15	16
10	11	12	13	14	15	16	17
11	12	13	14	15	16	17	18
12	13	14	15	16	17	18	19
13	14	15	16	17	18	19	20
14	15	16	17	18	19	20	21
15	16	17	18	19	20	21	22
16	17	18	19	20	21	22	23
17	18	19	20	21	22	23	24
18	19	20	21	22	23	24	25
19	20	21	22	23	24	25	26
20	21	22	23	24	25	26	27
21	22	23	24	25	26	27	28
22	23	24	25	26	27	28	29
23	24	25	26	27	28	29	30
24	25	26	27	28	29	30	31
25	26	27	28	29	30	31	32
26	27	28	29	30	31	32	33
27	28	29	30	31	32	33	34
28	29	30	31	32	33	34	35
29	30	31	32	33	34	35	36
30	31	32	33	34	35	36	37
31	32	33	34	35	36	37	38
32	33	34	35	36	37	38	39
33	34	35	36	37	38	39	40
34	35	36	37	38	39	40	41
35	36	37	38	39	40	41	42
36	37	38	39	40	41	42	43
37	38	39	40	41	42	43	44
38	39	40	41	42	43	44	45
39	40	41	42	43	44	45	46
40	41	42	43	44	45	46	47
41	42	43	44	45	46	47	48
42	43	44	45	46	47	48	49
43	44	45	46	47	48	49	50
44	45	46	47	48	49	50	51
45	46	47	48	49	50	51	52
46	47	48	49	50	51	52	53
47	48	49	50	51	52	53	54
48	49	50	51	52	53	54	55
49	50	51	52	53	54	55	56
50	51	52	53	54	55	56	57
51	52	53	54	55	56	57	58
52	53	54	55	56	57	58	59
53	54	55	56	57	58	59	60
54	55	56	57	58	59	60	61
55	56	57	58	59	60	61	62
56	57	58	59	60	61	62	63
57	58	59	60	61	62	63	64
58	59	60	61	62	63	64	65
59	60	61	62	63	64	65	66
60	61	62	63	64	65	66	67
61	62	63	64	65	66	67	68
62	63	64	65	66	67	68	69
63	64	65	66	67	68	69	70
64	65	66	67	68	69	70	71
65	66	67	68	69	70	71	72
66	67	68	69	70	71	72	73
67	68	69	70	71	72	73	74
68	69	70	71	72	73	74	75
69	70	71	72	73	74	75	76
70	71	72	73	74	75	76	77
71	72	73	74	75	76	77	78
72	73	74	75	76	77	78	79
73	74	75	76	77	78	79	80
74	75	76	77	78	79	80	81
75	76	77	78	79	80	81	82
76	77	78	79	80	81	82	83
77	78	79	80	81	82	83	84
78	79	80	81	82	83	84	85
79	80	81	82	83	84	85	86
80	81	82	83	84	85	86	87
81	82	83	84	85	86	87	88
82	83	84	85	86	87	88	89
83	84	85	86	87	88	89	90
84	85	86	87	88	89	90	91
85	86	87	88	89	90	91	92
86	87	88	89	90	91	92	93
87	88	89	90	91	92	93	94
88	89	90	91	92	93	94	95
89	90	91	92	93	94	95	96
90	91	92	93	94	95	96	97
91	92	93	94	95	96	97	98
92	93	94	95	96	97	98	99
93	94	95	96	97	98	99	100

Gen.	28.09.50	BELLINGER
Gen.		LIEBHERR MERK
Gen.		BIBERACH
Gen.		30-HUBMERK
Gen.	EC	

4005-21445	124
------------	-----

